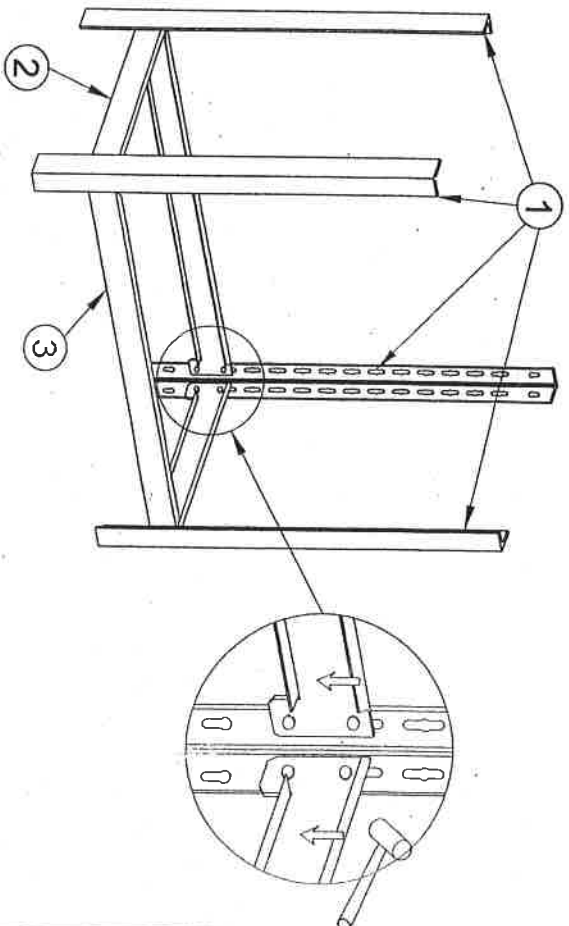


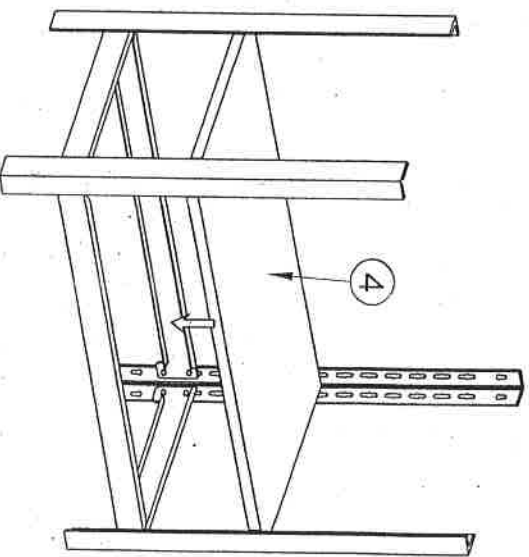
Sr. No.	PART LIST COMPONENT	QUANTITY
01	POST	08
02	SHORT BEAM	10
03	LONG BEAM	10
04	SHELF	05
05	POST COUPLER	04

**Tools required: Rubber hammer

STEP 1

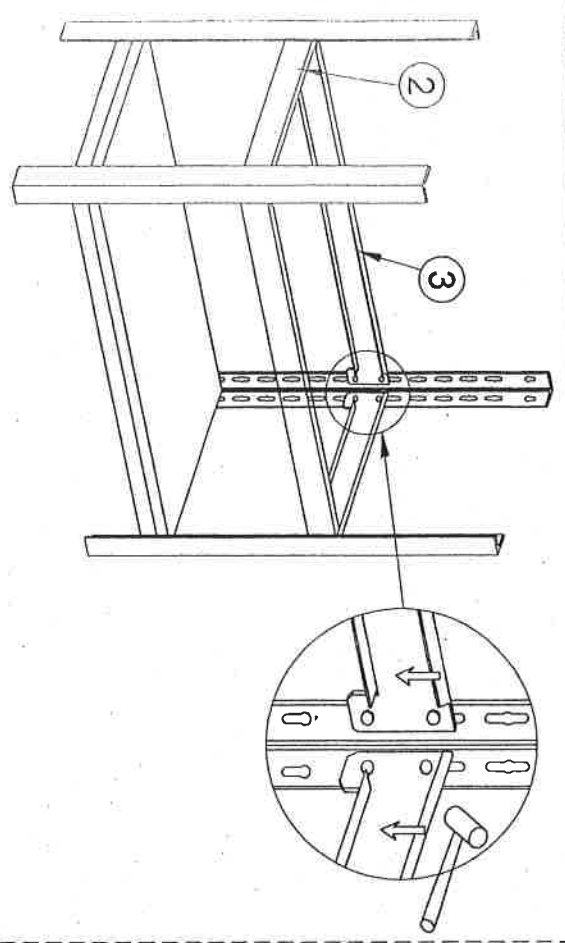


STEP 2

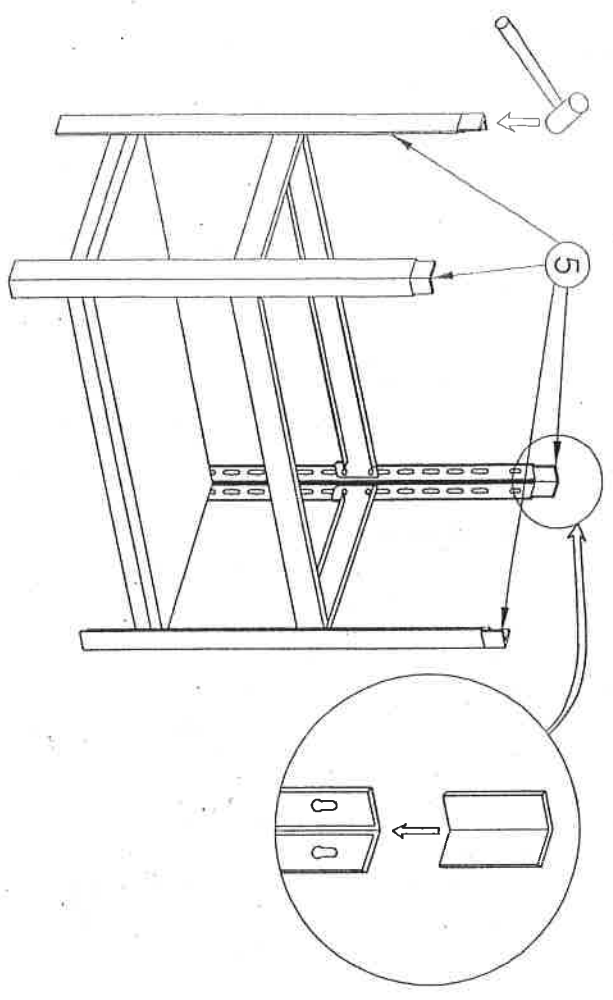


ASSEMBLY INSTRUCTION OF BOLTESS SHELVING

STEP 3



STEP 4



STEP 5

