

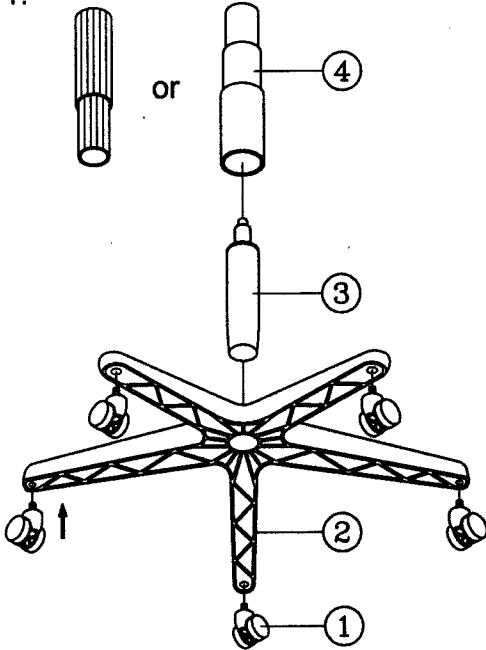
# ASSEMBLY INSTRUCTION

Remove all items from the carton . Verify all pieces before assembly.

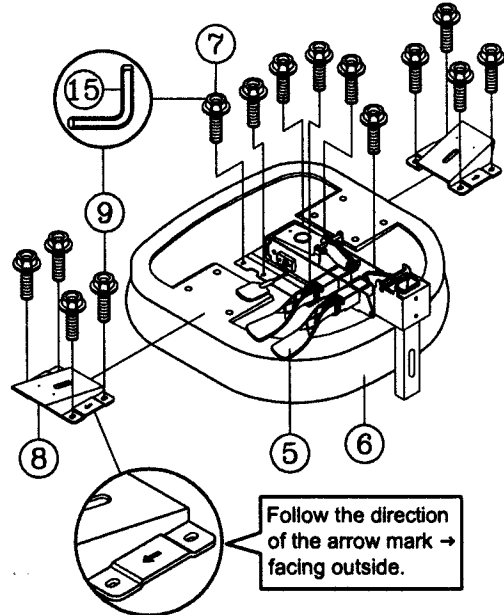
## PART LIST

KEY	QTY	DESCRIPTION	KEY	QTY	DESCRIPTION	KEY	QTY	DESCRIPTION
1	5	Caster	7	6	Mechanism Screw	12	1	Backrest
2	1	Base	8	2	Arm Bracket	13	1	Backrest Height Adj. Knob +Washer
3	1	Seat Post	9	8	Arm Bracket Screw	14	1	Mechanism Plastic Bellow
4	1	Seat Post Cover	10	2	Armrest	15	1	Allen Wrench
5	1	Mechanism	11	2	Arm Width Adj. Knob + Washers			
6	1	Seat						

### STEP 1.

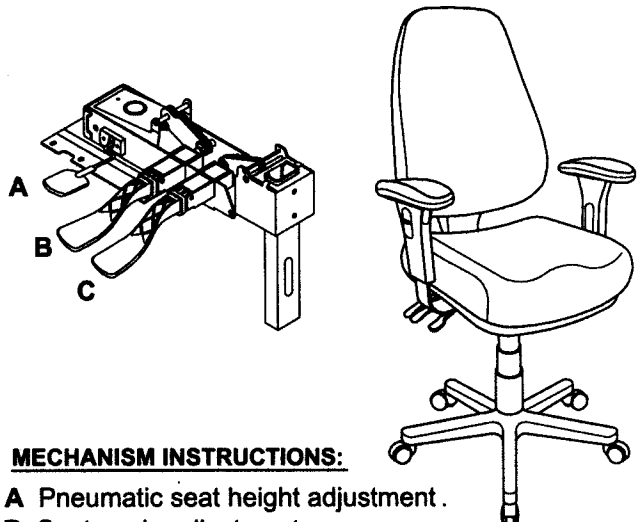
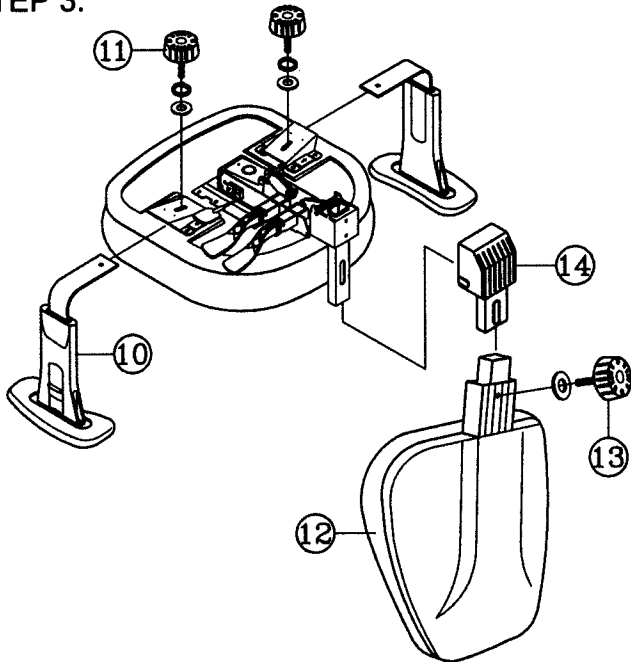


### STEP 2.



Follow the direction of the arrow mark → facing outside.

### STEP 3.



#### MECHANISM INSTRUCTIONS:

- A Pneumatic seat height adjustment .
- B Seat angle adjustment :  
Seat angle adjusts independently with a single lever.
- C Backrest angle adjustment :  
Back angle adjusts independently with a single lever.

#### PREVENTIVE MAINTENANCE AND WARNING!

- USE THIS PRODUCT ONLY FOR SEATING ONE PERSON AT A TIME.
- DO NOT USE THIS CHAIR AS A STEP STOOL / LADDER.
- DO NOT SIT ON ANY PART OF THE CHAIR EXCEPT THE SEAT.
- DO NOT USE CHAIR ON UNEVEN FLOOR SURFACES.
- DO NOT USE CHAIR UNLESS ALL BOLTS, SCREWS AND KNOBS ARE TIGHTENED.
- EVERY SIX MONTHS, PLEASE MAKE SURE ALL BOLTS, SCREWS AND KNOBS ARE FULLY TIGHTENED TO ENSURE STABILITY.
- IF ANY PARTS ARE MISSING, BROKEN, DAMAGED OR WORN, STOP USE OF THE PRODUCT UNTIL REPAIRS ARE MADE USING FACTORY AUTHORIZED PARTS.
- DISPOSE OF PACKAGING PROPERLY. PLASTIC BAG IS NOT A TOY. DO NOT USE PLASTIC BAG AS HEAD COVERING - IT MAY CAUSE SUFFOCATION.
- FAILURE TO FOLLOW THESE WARNINGS COULD RESULT IN SERIOUS INJURY.
- NOTE: SOME SCREWS MAY BE PREASSEMBLED. IF PREASSEMBLED, IGNORE ASSEMBLY INSTRUCTIONS.

LANDER FABRIC / LANDER LEATHER