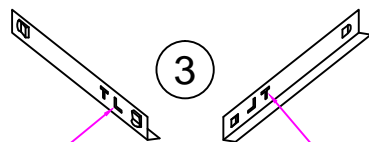
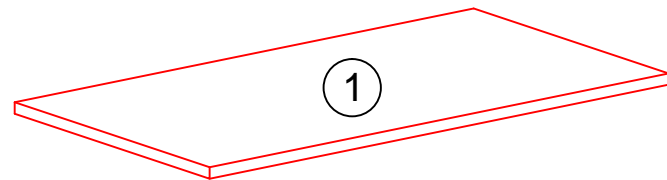


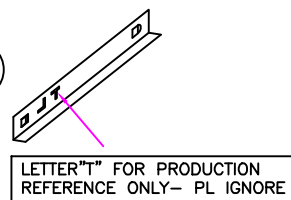
ASSEMBLY INSTRUCTIONS GTD SHELF

PART LIST		
Part No	Component	Quantity
01	SHELF	01
02	SHELF SUPPORT RH	01
03	SHELF SUPPORT LH	01

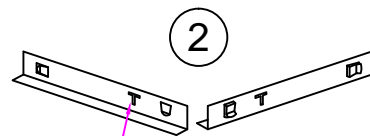


LETTER "L" FOR LEFT HAND SIDE BRACKET

LEFT SIDE BRACKET



LETTER "T" FOR PRODUCTION REFERENCE ONLY- PL IGNORE

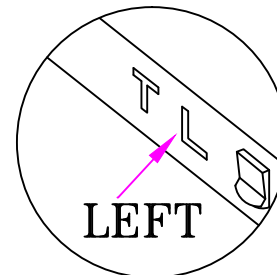


LETTER "T" FOR PRODUCTION REFERENCE ONLY- PL IGNORE

RIGHT SIDE BRACKET

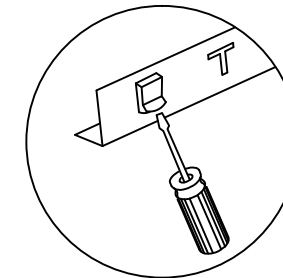
LETTER "L" STANDS FOR LEFT HAND SIDE BRACKET

LETTER "T" FOR MANUFACTURING REFERENCE ONLY- PL IGNORE WHICH IS PUNCHED ON BOTH THE BRACKETS

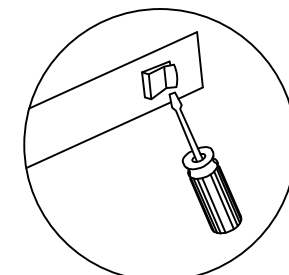


LEFT

IDENTIFICATION



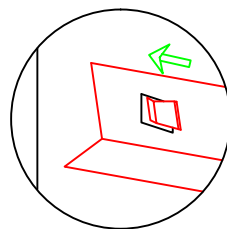
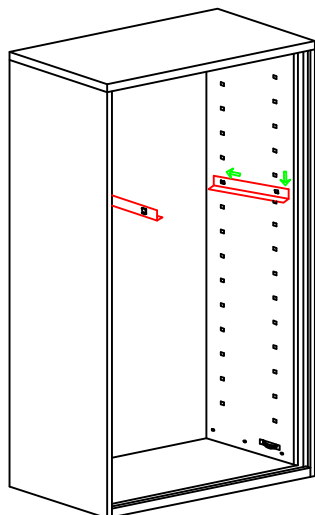
FRONT BAYONET



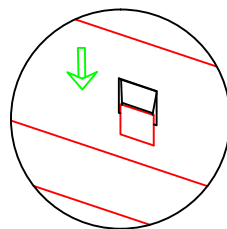
REAR BAYONET

1. Identify the LH and RH Brackets as shown. The Letter "L" is for Left side bracket. The letter "T" is punched on both the brackets for manufacturing identification. Please ignore the letter "T".
2. OPEN the Bayonets slightly as shown using FLATHEAD Screw driver for the easy of assembly.

STEP-2



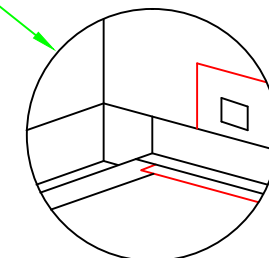
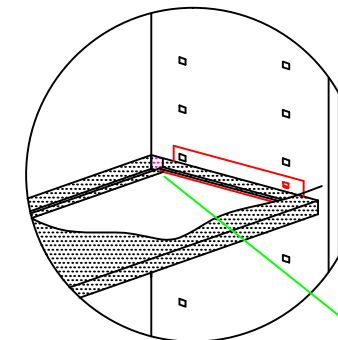
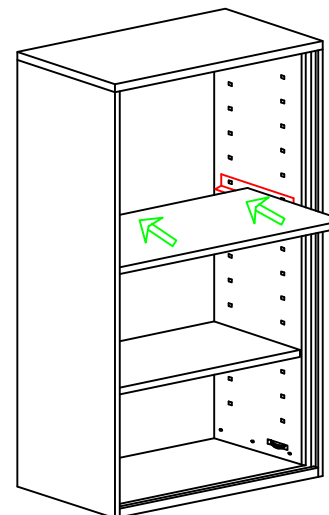
FIXING REAR BAYONET



FIXING FRONT BAYONET

1. Position the rear bayonet of the Right side bracket in the rear slot on the inside panel and press inside as shown by the arrow direction.
2. Position the front bayonet in the front slot on the inside panel and press the bracket down ward as shown.
3. Similarly fix the left side brackets at desired position.

STEP-3



1. Position the SHELF on the shelf support brackets.
2. Press the shelf gently inside. Ensure that the shelf is locked inside the rear edge of the shelf support bracket.
3. Similarly assemble the other shelves at the desired positions.