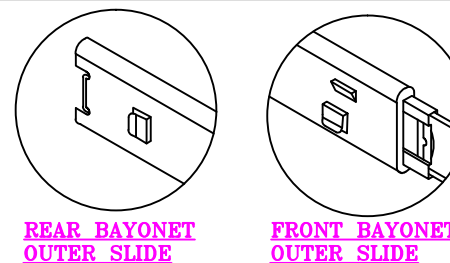
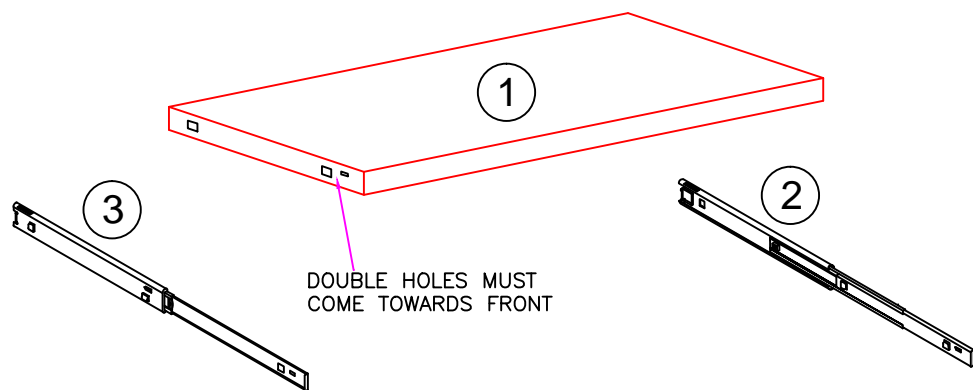


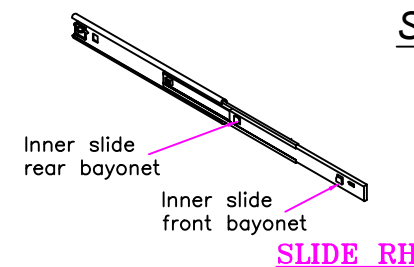
**ASSEMBLY INSTRUCTIONS AMPORS (PULLOUT REFERENCE SHELF)**

PART LIST		
Part No	Component	Quantity
01	PULL OUT SHELF	01
02	SLIDE RH SIDE	01
03	SLIDE LH SIDE	01

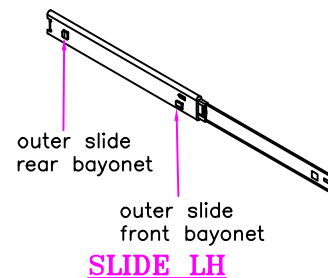


**REAR BAYONET OUTER SLIDE**

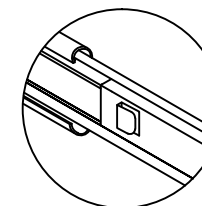
**FRONT BAYONET OUTER SLIDE**



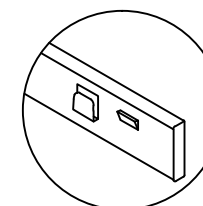
**SLIDE RH**



**SLIDE LH**



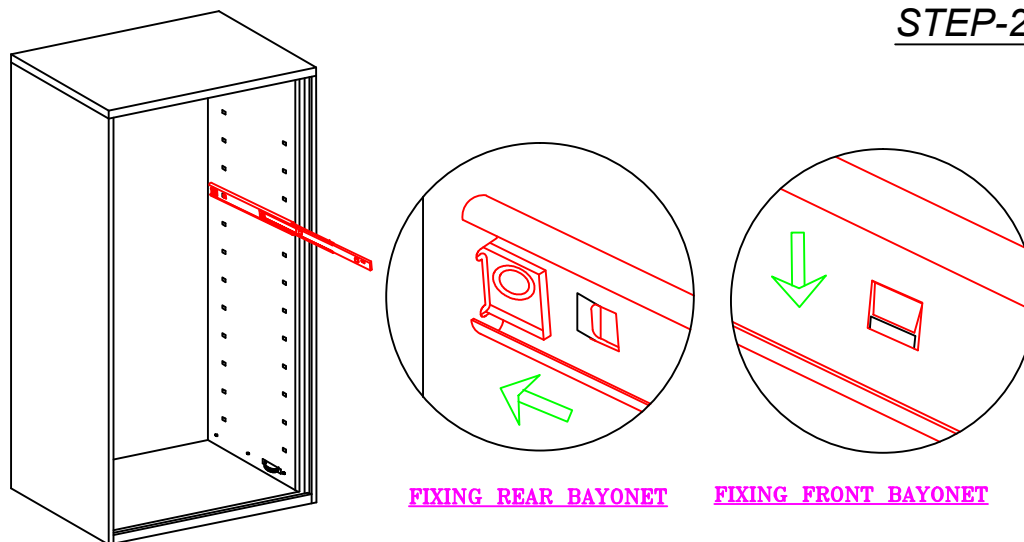
**REAR BAYONET INNER SLIDE**



**FRONT BAYONET INNER SLIDE**

1. IDENTIFY THE SLIDES by Holding both the slides together in such a way that the inner bayonets of the slides comes in contact.
2. Now check for the RH and LH slides as shown above. The front bayonets of outer slides must come towards the assembler and the bayonet direction must be downward as shown in the above diagrams.

**STEP-2**

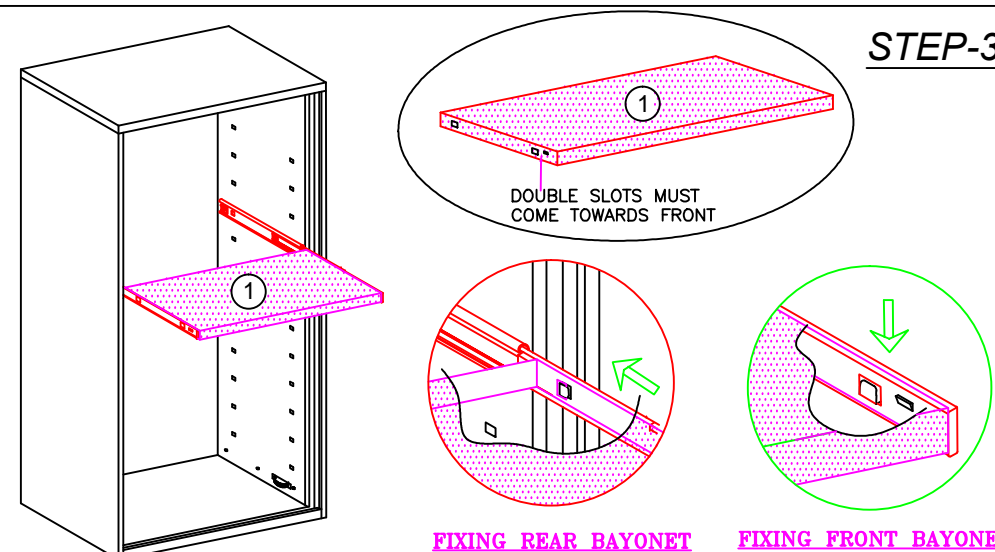


**FIXING REAR BAYONET**

**FIXING FRONT BAYONET**

1. Position the rear bayonet of the RH slide on the rear slot of the inside panel at the desired position and press the slide inside as shown by the arrow direction.
2. Position the front bayonet of the slide in the front slot on the inside panel and press the slide downward as shown.
3. Similarly fix the LH slide at the same height of RH slide.

**STEP-3**



**DOUBLE SLOTS MUST COME TOWARDS FRONT**

**FIXING REAR BAYONET**

**FIXING FRONT BAYONET**

1. Position the AMPORS as shown on the bayonets of the slides in such a way that the double slots on the shelf come towards the assembler (front side).
2. Position the rear slot of the AMPORS on the rear bayonet of the RH slide and press the AMPORS inward as shown by arrow mark.
3. Now position the front slot of the AMPORS on the front bayonet as shown and press the AMPORS downward as shown by arrow.
4. Similarly fix the AMPORS on the LH Slide.