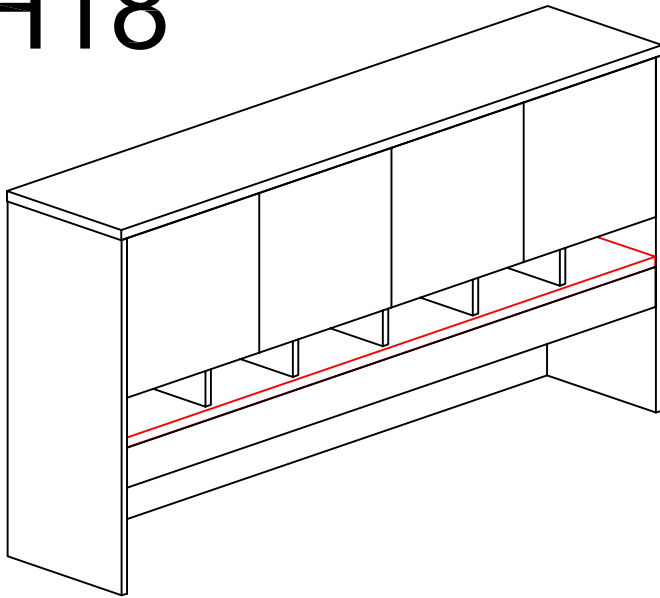


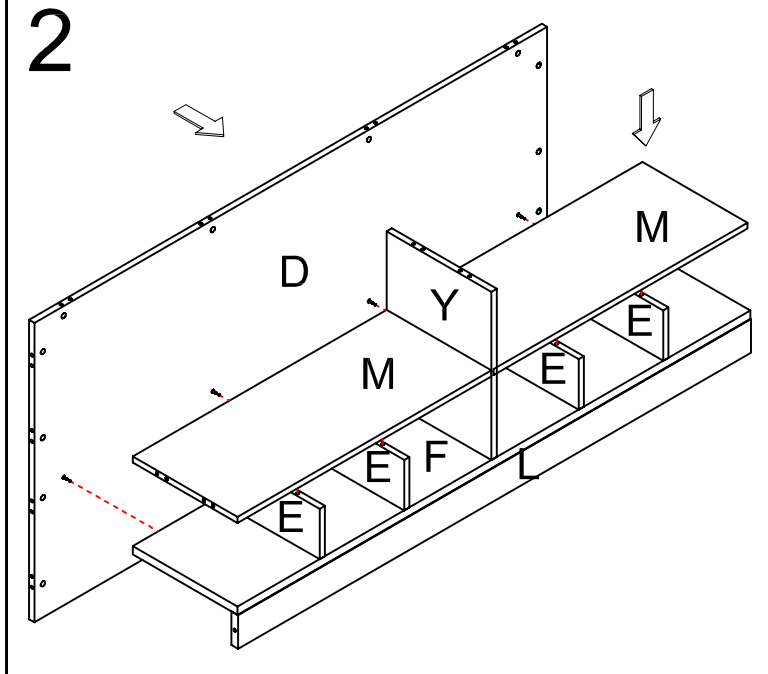
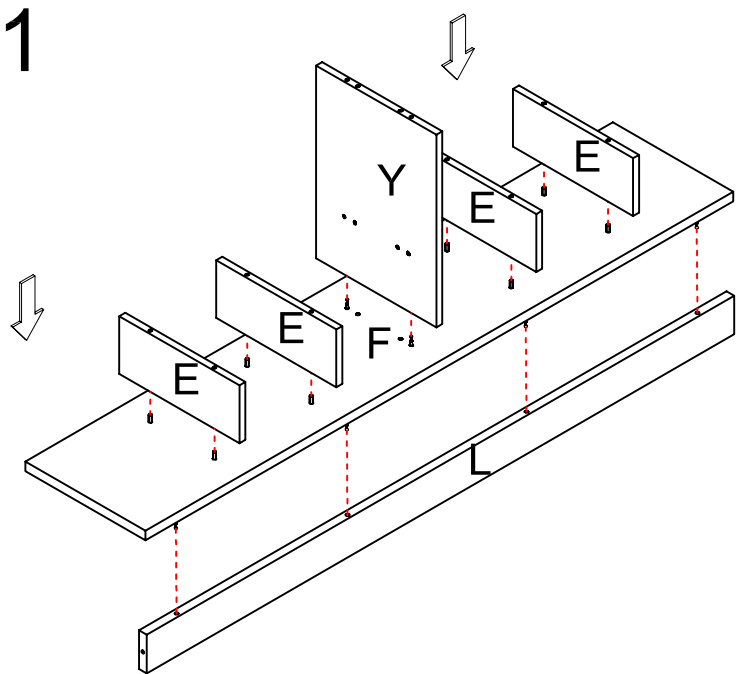
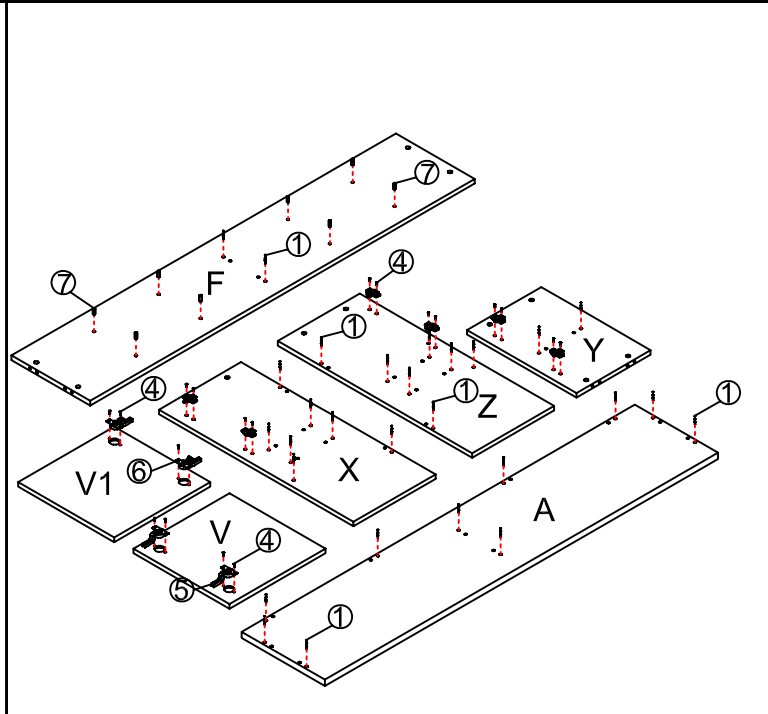
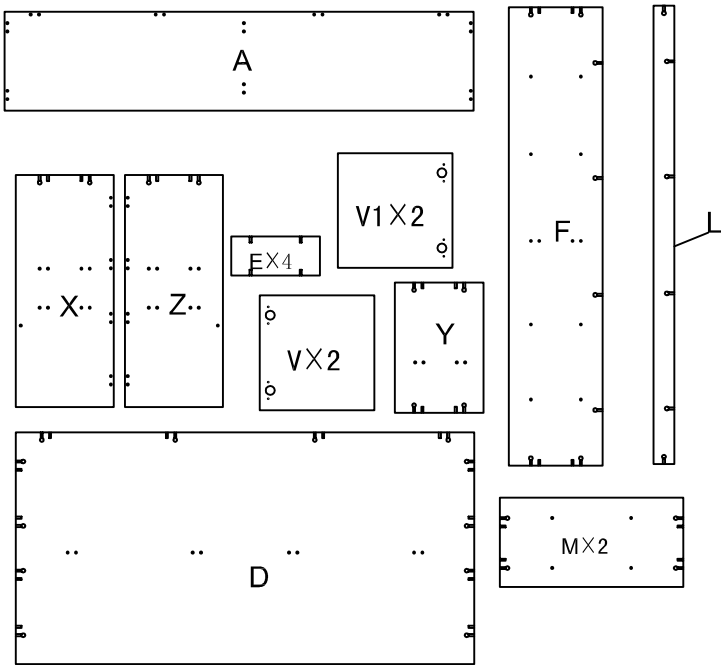
ASSEMBLY INSTRUCTIONS

VH18

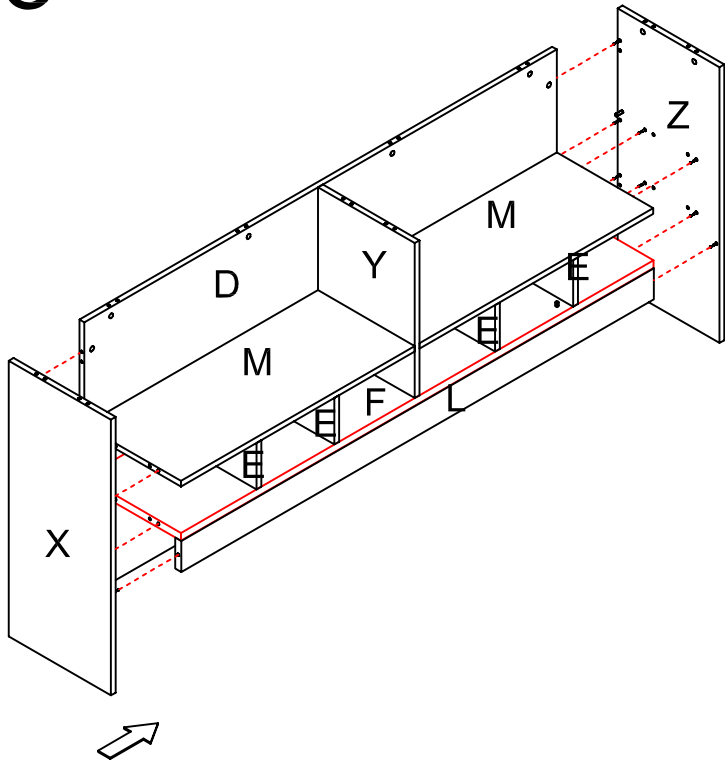
rapidline
FURNITURE FOR TODAY
2011-8-25



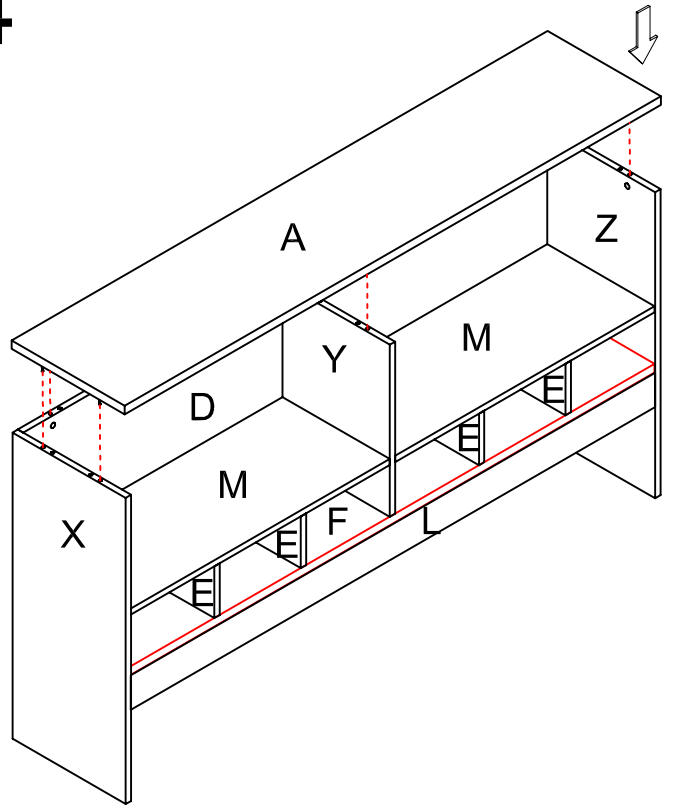
pin 6x35 1 42PCS	CAM 2 42PCS
Cam Cover 3 42PCS	Screw 4x16 4 48PCS
Hinge&Mount Plate 5 4PCS	Hinge&Mount Plate 6 4PCS
Bracket 7 4PCS	



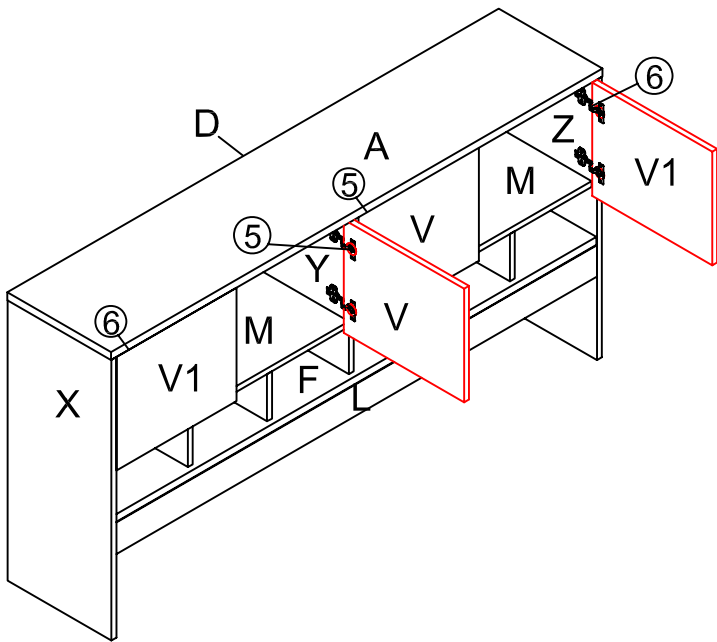
3



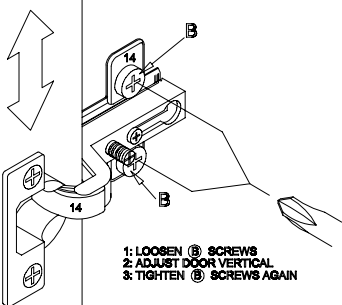
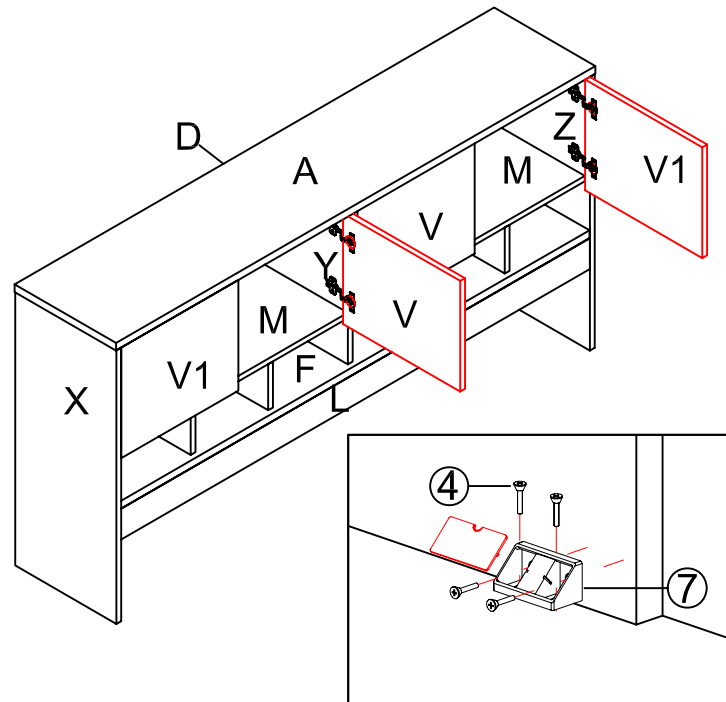
4



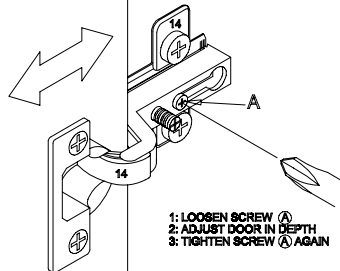
5



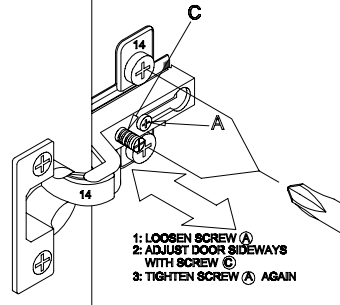
6



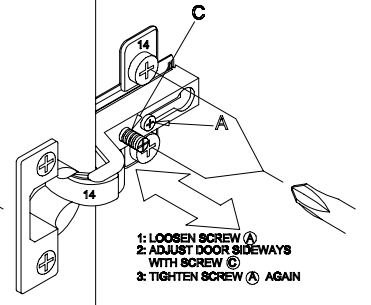
1: LOOSEN (B) SCREWS
2: ADJUST DOOR VERTICAL
3: TIGHTEN (B) SCREWS AGAIN



1: LOOSEN SCREW (A)
2: ADJUST DOOR IN DEPTH
3: TIGHTEN SCREW (A) AGAIN



1: LOOSEN SCREW (A)
2: ADJUST DOOR SIDWAYS WITH SCREW (C)
3: TIGHTEN SCREW (A) AGAIN



1: LOOSEN SCREW (A)
2: ADJUST DOOR SIDWAYS WITH SCREW (C)
3: TIGHTEN SCREW (A) AGAIN