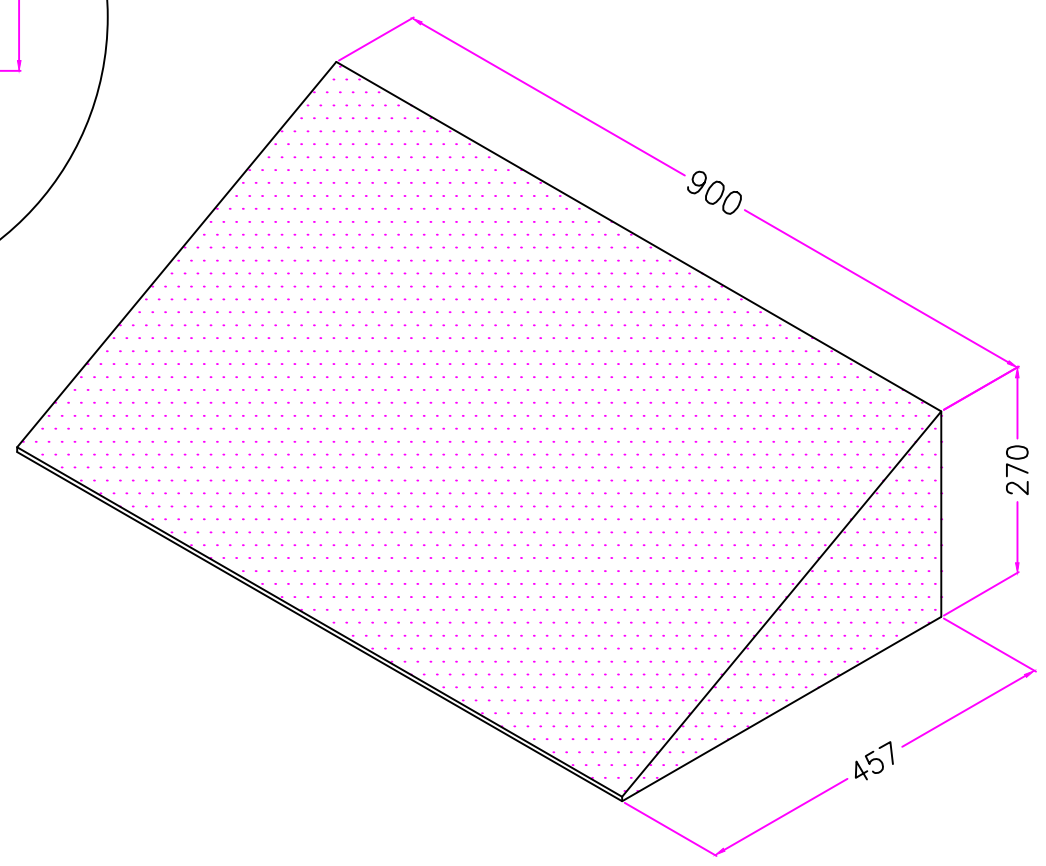


SLOPING TOP FOR INDIVIDUAL LOCKER



SLOPING TOP FOR 3 LOCKERS TOGETHER

30 DEGREES SLOPING TOPS

VERIFIED	DATE	SIGNATURE

Approved By	
-------------	--

DO NOT SCALE DRAWING. IF IN DOUBT ASK D.O.  
 THIS DRAWING & DESIGN IS THE SOLE PROPERTY OF  
**Go Office Ltd.** IT SHOULD NOT BE COPIED OR COMMUNICATED  
 TO ANY PERSON WITHOUT THE WRITTEN APPROVAL OF THE  
 PROPRIETORS.

2014	NAME	DATE	SCALE.
DRN.	VSK	19-01-14	
CKD.			
CAD FILE:			
SLOPING TOP 30 DEG			



CLIENT/REF.  
**FURNX AUSTRALIA**



**Go Office Ltd.**  
 Glossop Road, Gamesley, Glossop,  
 Derbyshire, SK13 9JH,  
 United Kingdom  
 Tel: (+44) 01457 857755, Fax: (+44) 01457 853388

TITLE.	<b>LOCKER SLOPING TOPS</b>		
DRG. No.	SLOPING TOP 30 DEG	REV.No.	Date.