
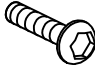
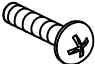
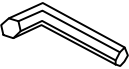

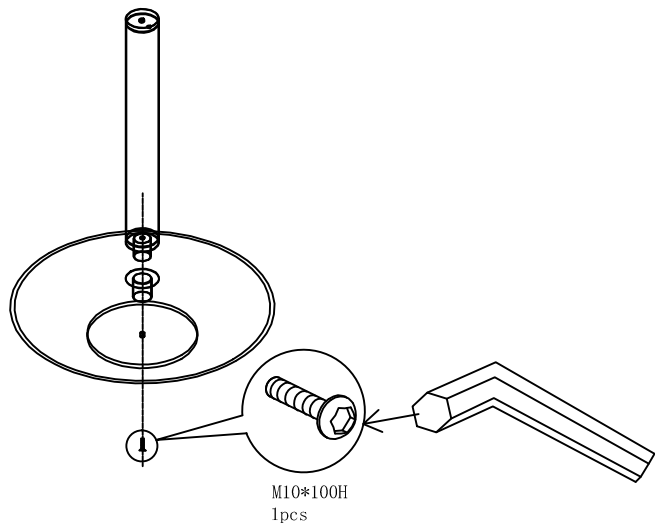


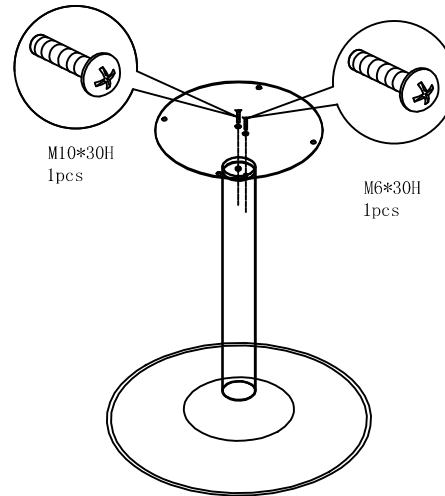
ASSEMBLY INSTRUCTIONS

RTB1050CH

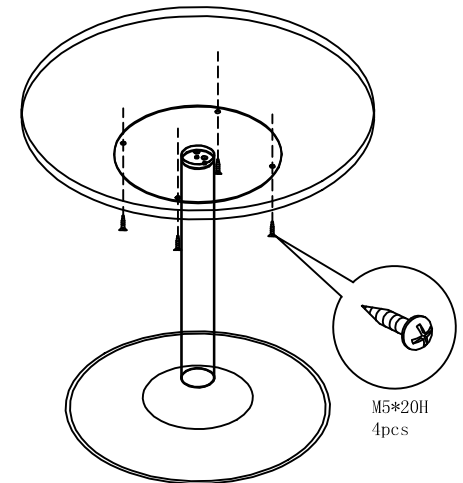
	M5*20H 4pcs		M10*100H 1pcs
	M10*30H 1pcs		1pcs
	M6*30H 1pcs		



1



2



3