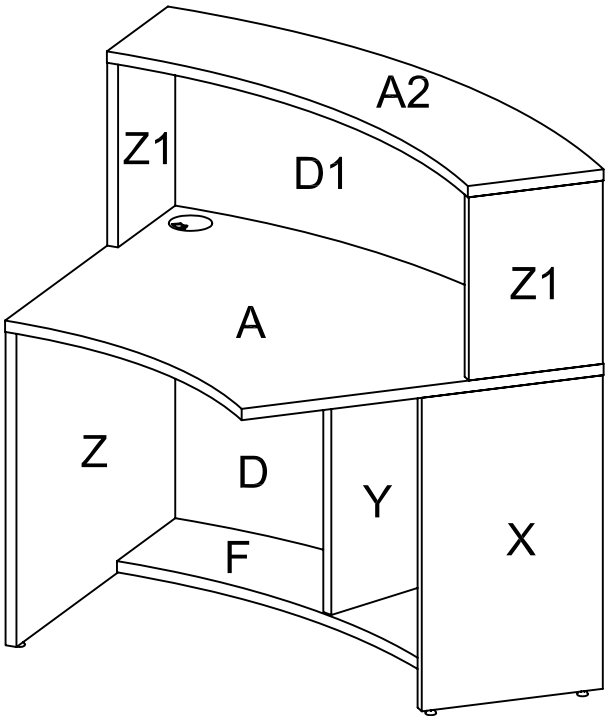


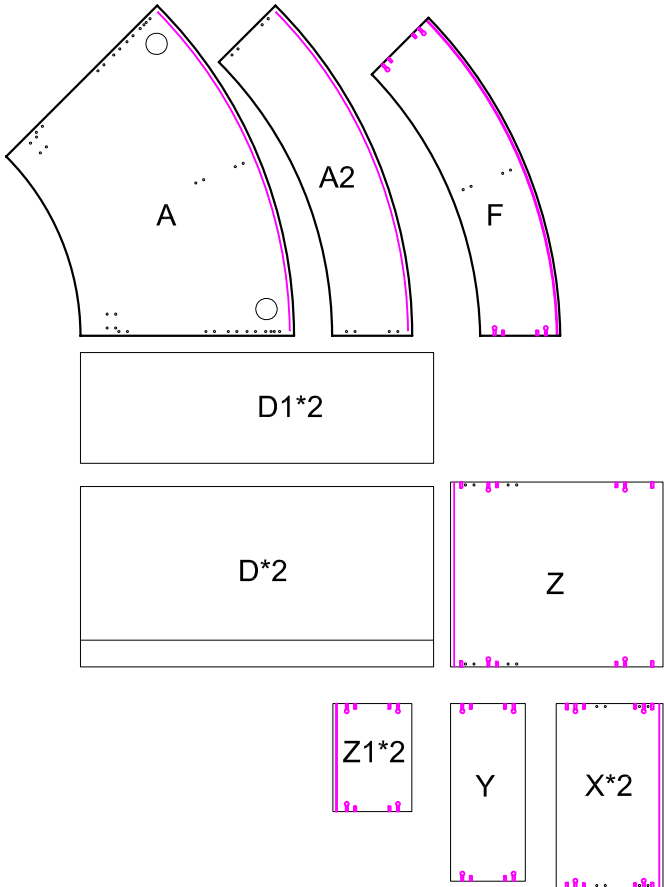
Assembly Instructions

MODEL NO:MOD1

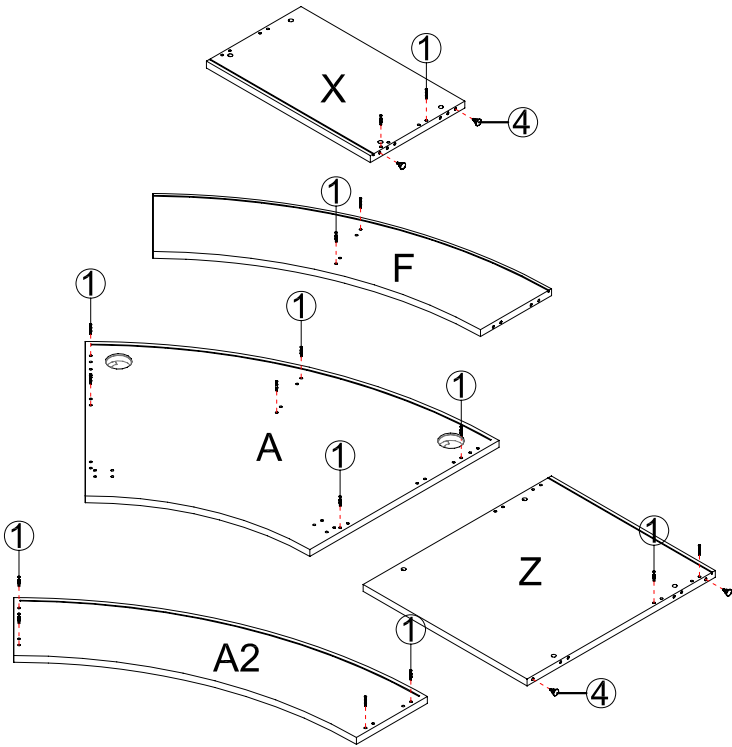


pin	6×35	1	20PCS
CAM		2	22PCS
Cam Cover		3	28PCS
ADJ.FEET	∅24×12H	4	4PCS
CONNECTOR	200×80	5	1PCS
Screw	6×12	6	8PCS
The back bracket		7	12PCS

AU

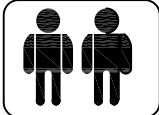


STEP1

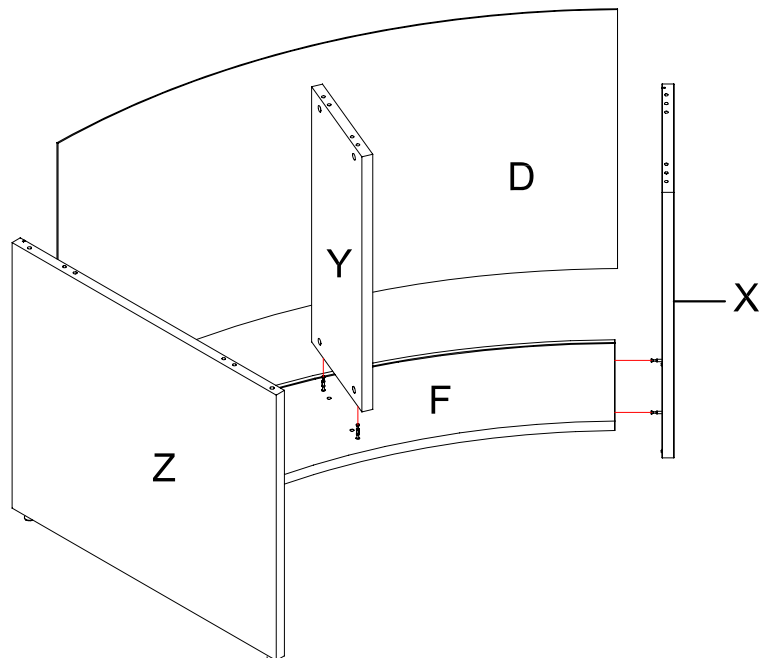


IMPORTANT NOTE:

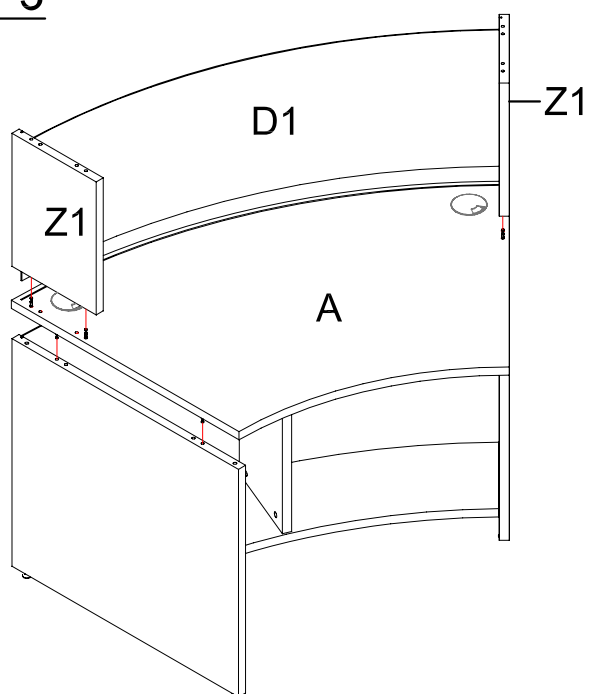
- Place all laminated parts on a clean and smooth surface such as a rug or carpet to avoid the parts from being scratched.
- Check to be sure that you have all parts and hardware.
- Remove all wrapping materials, including staples & packing straps before you start to assemble.
- Don't tighten all screws/bolts until all completely assembled.
- Keep all hardware parts out of reach of children



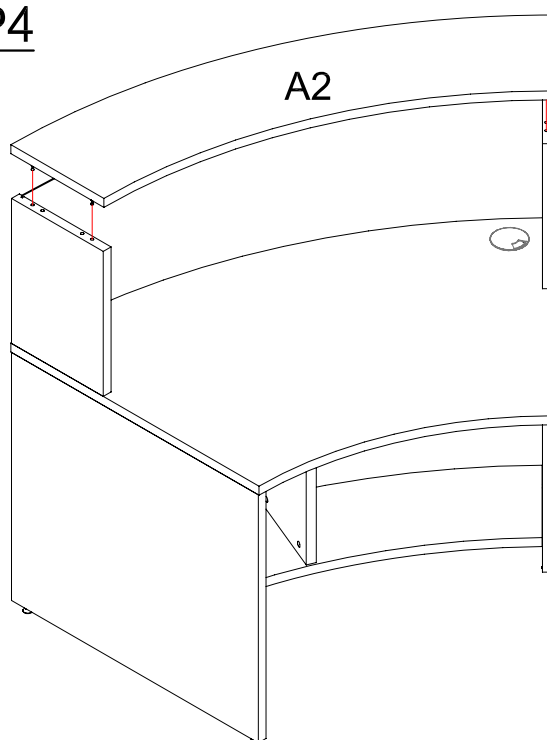
STEP 2



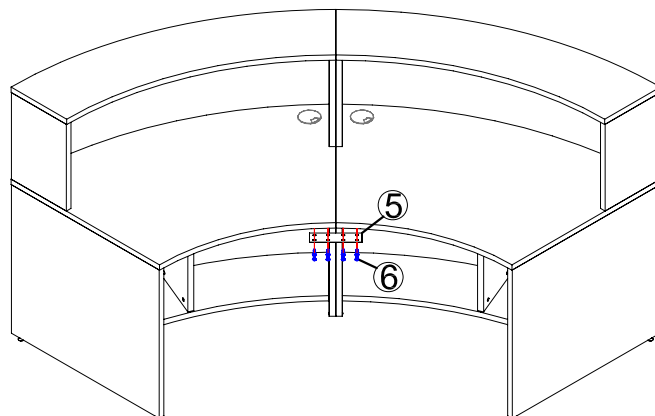
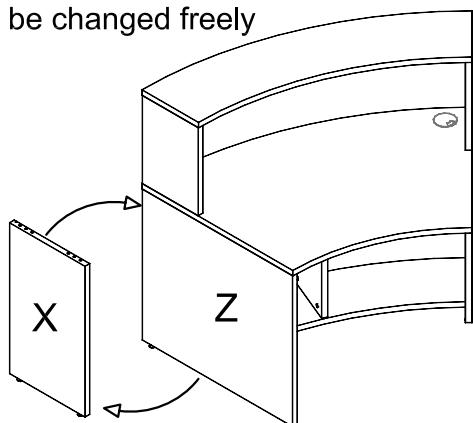
STEP 3



STEP 4

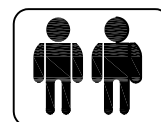


X and Z can be changed freely



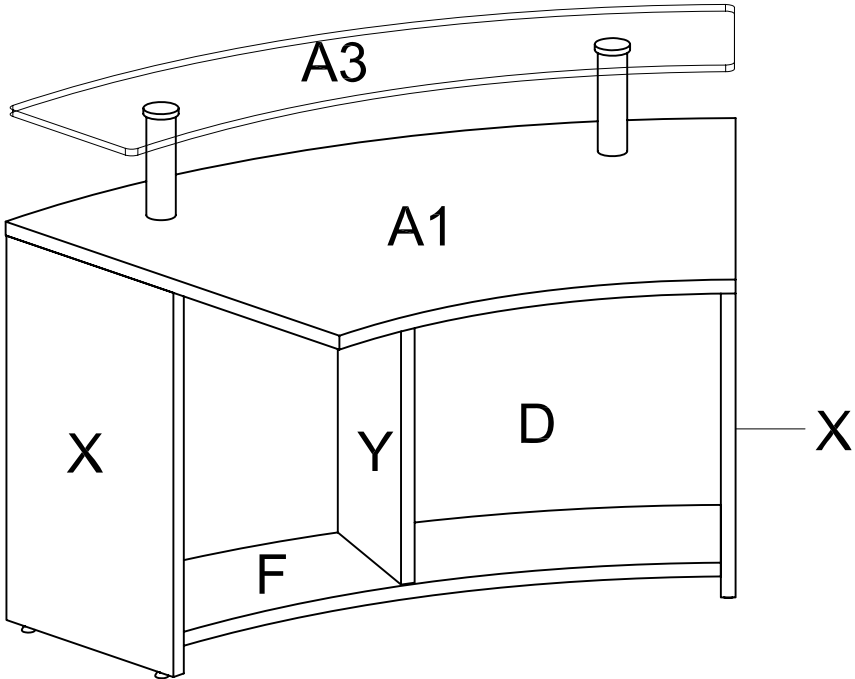
IMPORTANT NOTE:

- Place all laminated parts on a clean and smooth surface such as a rug or carpet to avoid the parts from being scratched.
- Check to be sure that you have all parts and hardware.
- Remove all wrapping materials, including staples & packing straps before you start to assemble.
- Don't tighten all screws/bolts until all completely assembled.
- Keep all hardware parts out of reach of children



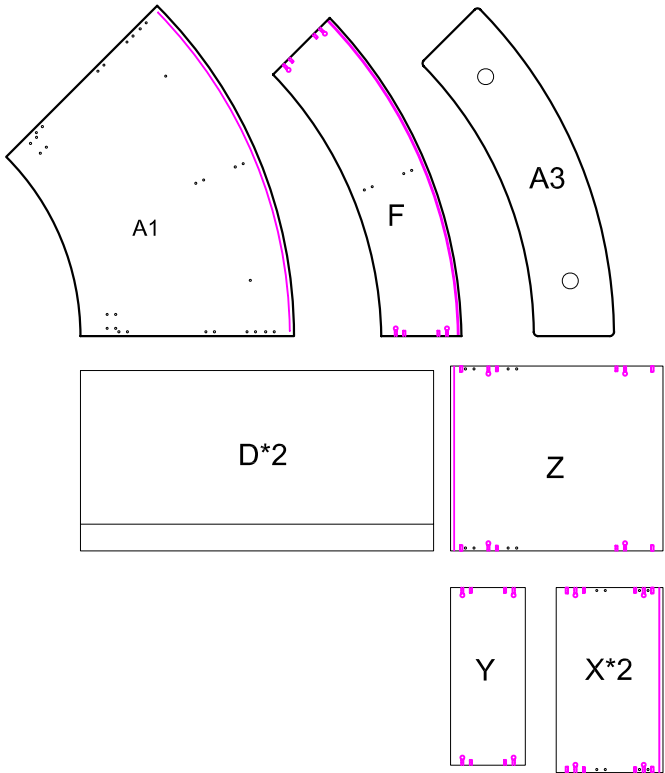
Assembly Instructions

MODEL NO.:MOD2

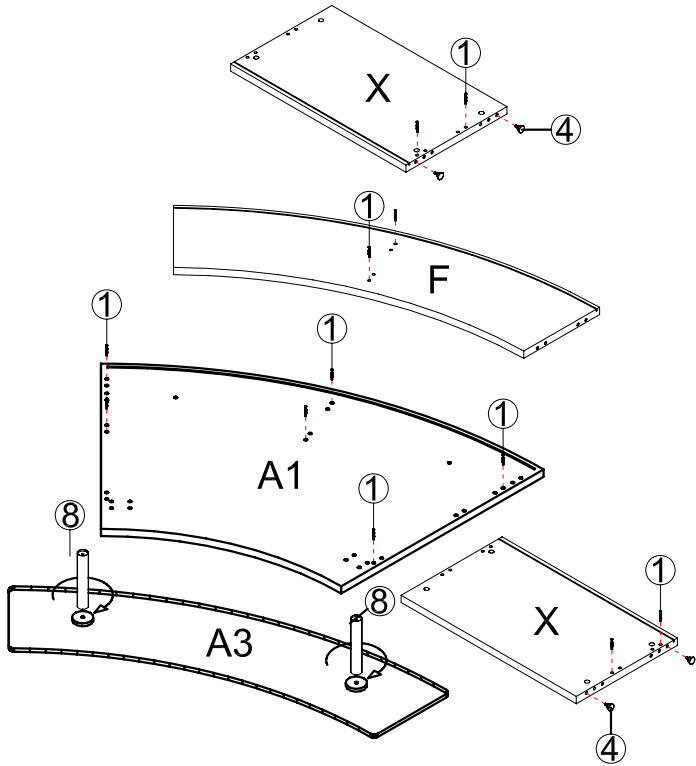


pin	6×35	1
		12PCS
CAM		2
		14PCS
Cam Cover		3
		20PCS
ADJ.FEET	∅24×125	4
		4PCS
CONNECTOR	200×60	5
		1PCS
Screw	6×12	6
		8PCS
The back bracket		7
		6PCS
glass top support	∅50×103E	8
		2PCS

AU



STEP 1

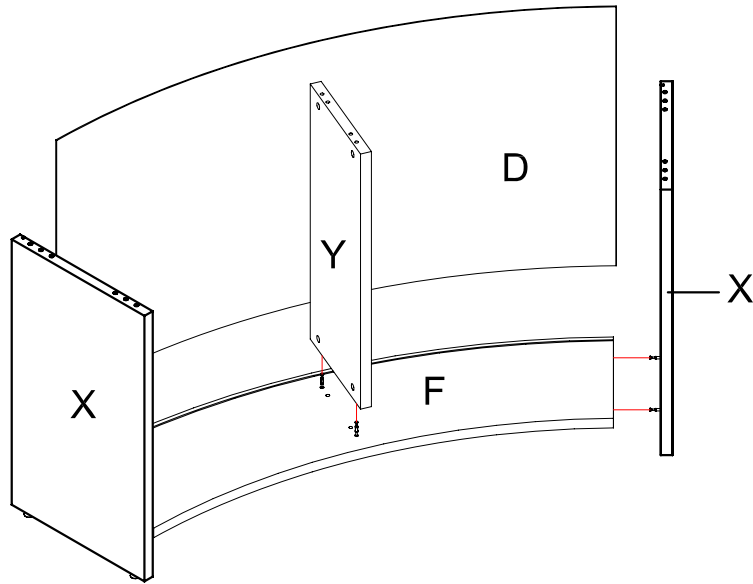


IMPORTANT NOTE:

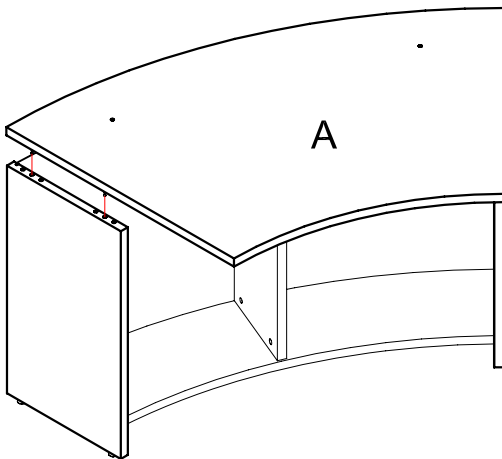
- Place all laminated parts on a clean and smooth surface such as a rug or carpet to avoid the parts from being scratched.
- Check to be sure that you have all parts and hardware.
- Remove all wrapping materials, including staples & packing straps before you start to assemble.
- Don't tighten all screws/bolts until all completely assembled.
- Keep all hardware parts out of reach of children



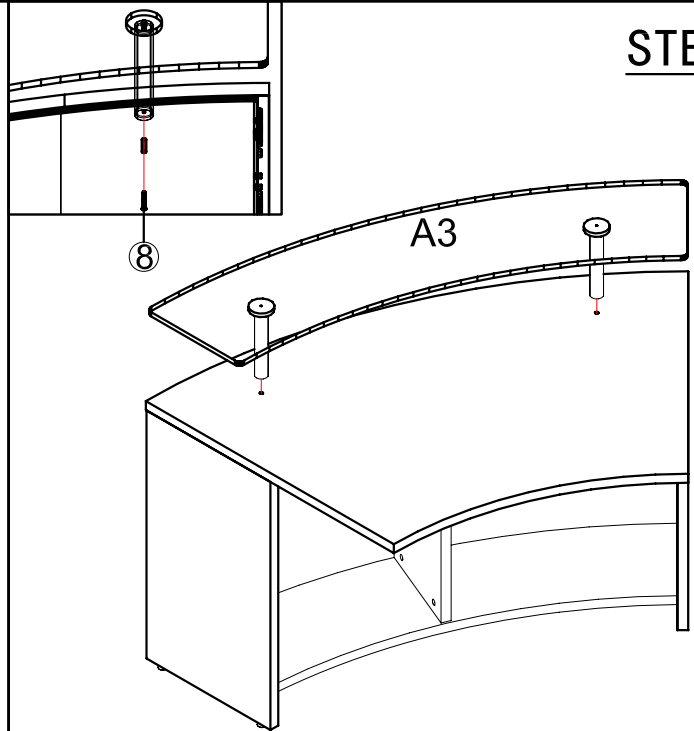
STEP 2



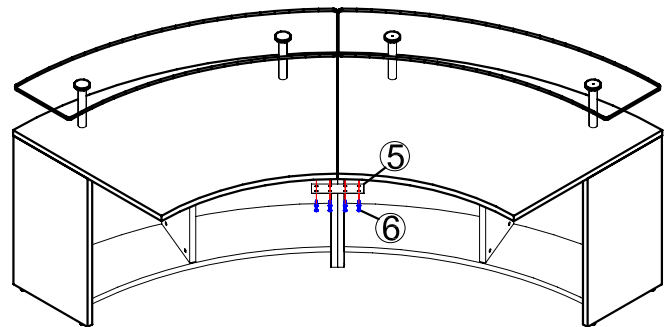
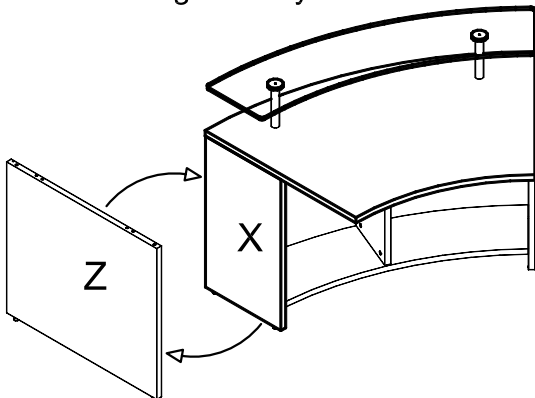
STEP 3



STEP 4



X and Z can be changed freely



IMPORTANT NOTE:

- Place all laminated parts on a clean and smooth surface such as a rug or carpet to avoid the parts from being scratched.
- Check to be sure that you have all parts and hardware.
- Remove all wrapping materials, including staples & packing straps before you start to assemble.
- Don't tighten all screws/bolts until all completely assembled.
- Keep all hardware parts out of reach of children

