



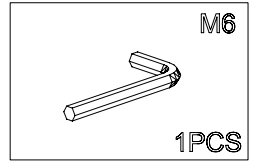
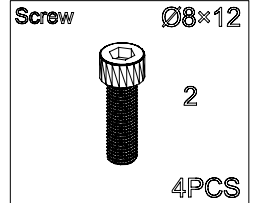
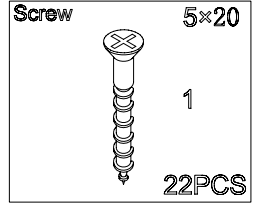
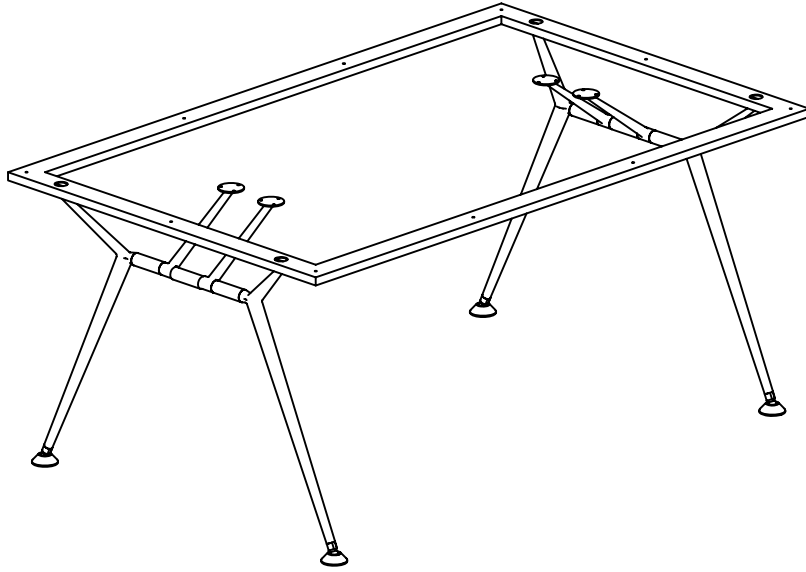
Zhongshan JNM Furniture Manufacture Co., Ltd.

Email: jnm@vip.163.com http://www.jnm.hk

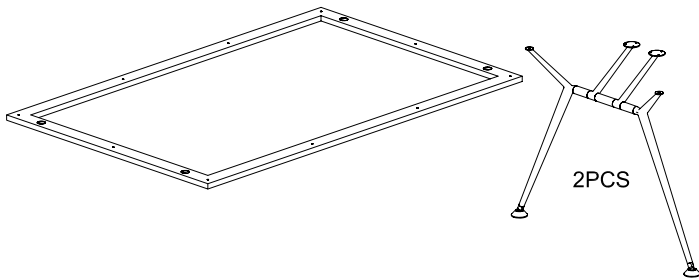
TEL: 0760-88511666 FAX: 0760-88511669

Assembly Instructions

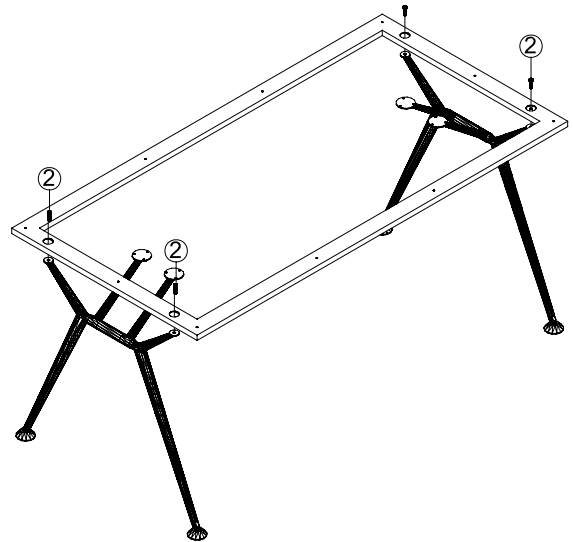
MODEL NO: MBF



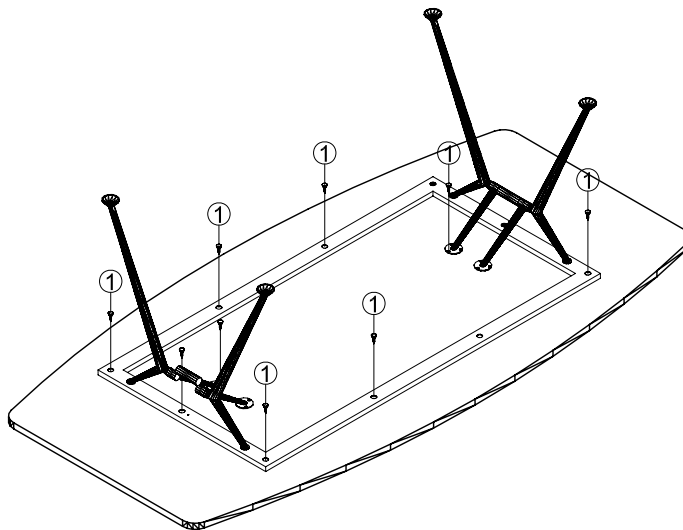
STEP1



STEP2



STEP3



IMPORTANT NOTE:

- Place all laminated parts on a clean and smooth surface such as a rug or carpet to avoid the parts from being scratched.
- Check to be sure that you have all parts and hardware.
- Remove all wrapping materials, including staples & packing straps before you start to assemble.
- Don't tighten all screws/bolts until all completely assembled.
- Keep all hardware parts out of reach of children

