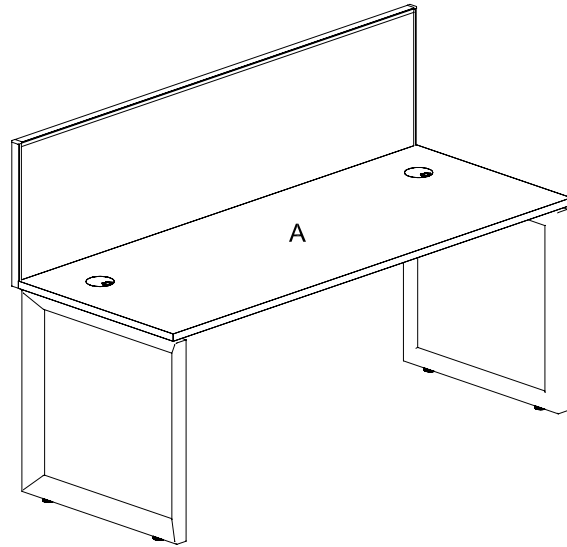


Assembly Instructions

MODEL NO: Loop Leg Assembly Instructions

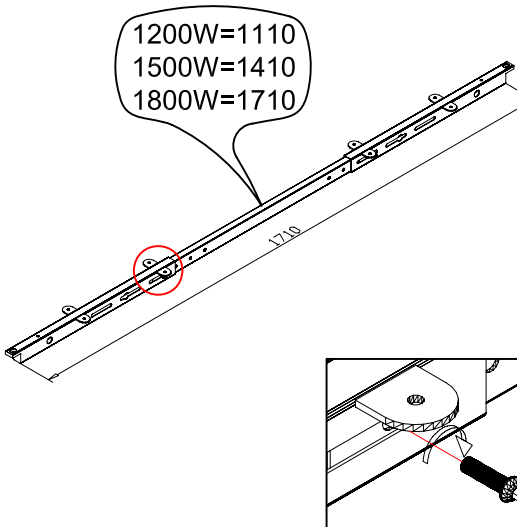


Screw 8×16 1 16PCS	R 5 1PCS
Screw 6×16 2 4PCS	M5 6 1PCS
Screw 5×20 3 30PCS	M4 7 1PCS
L 4 1PCS	M6 8 1PCS

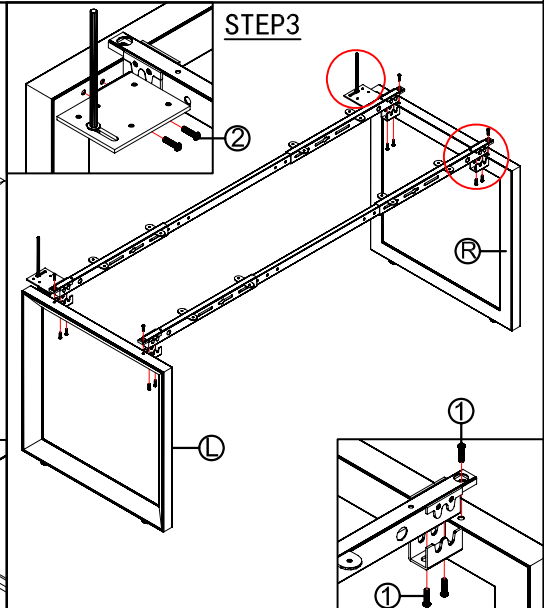
Assembly Instructions

MODEL NO: Loop Leg Assembly Instructions

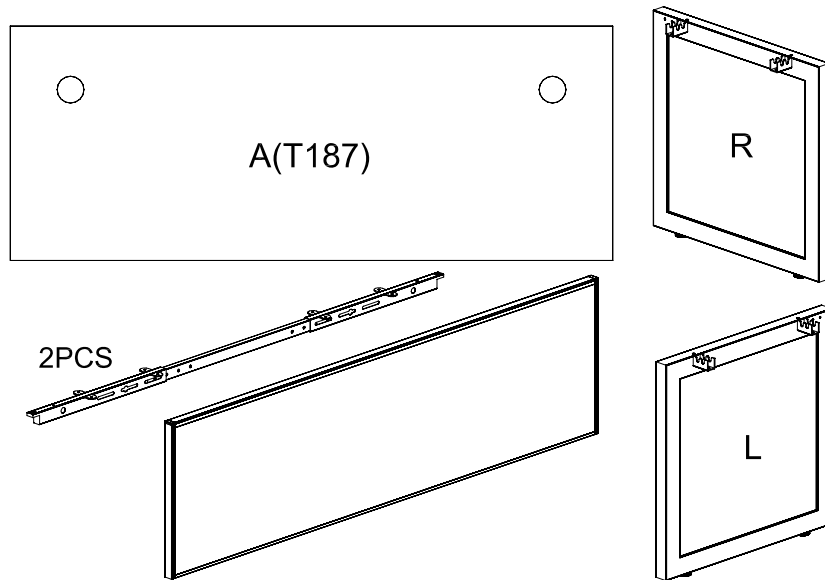
STEP2



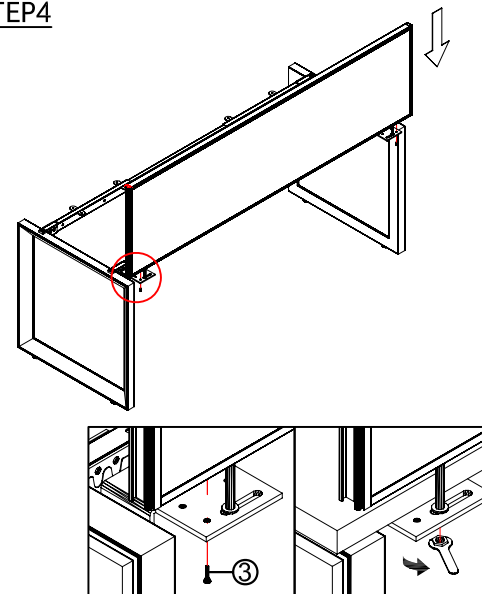
STEP3



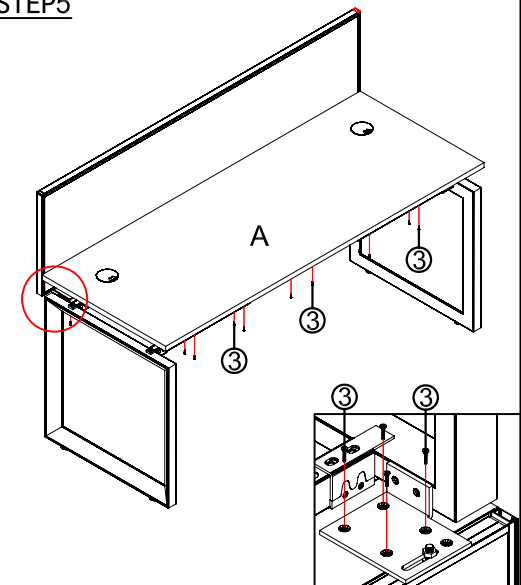
STEP1



STEP4

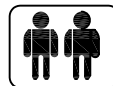


STEP5



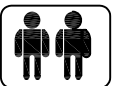
IMPORTANT NOTE:

- Place all laminated parts on a clean and smooth surface such as a rug or carpet to avoid the parts from being scratched.
- Check to be sure that you have all parts and hardware.
- Remove all wrapping materials, including staples & packing straps before you start to assemble.
- Don't tighten all screws/bolts until all completely assembled.
- Keep all hardware parts out of reach of children



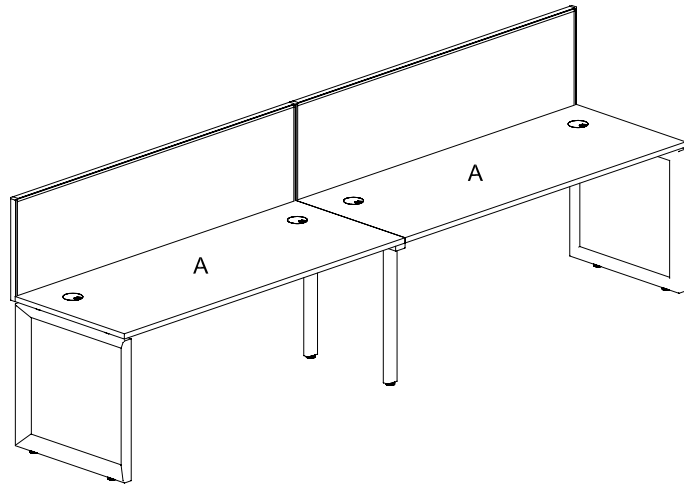
IMPORTANT NOTE:

- Place all laminated parts on a clean and smooth surface such as a rug or carpet to avoid the parts from being scratched.
- Check to be sure that you have all parts and hardware.
- Remove all wrapping materials, including staples & packing straps before you start to assemble.
- Don't tighten all screws/bolts until all completely assembled.
- Keep all hardware parts out of reach of children



Assembly Instructions

MODEL NO: Loop Leg Assembly Instructions

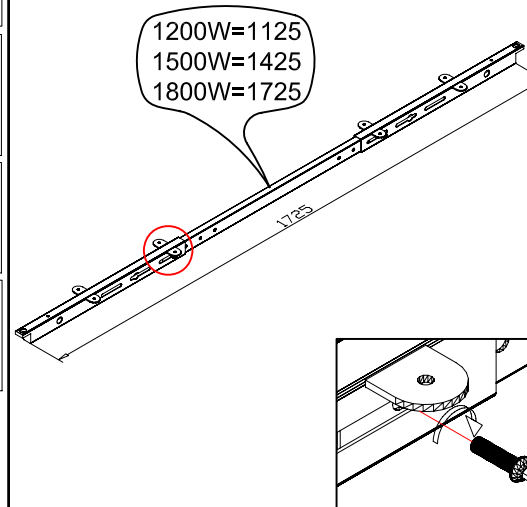


Screw 8×16	1	R	5
	32PCS		2PCS
Screw 6×16	2	M5	6
	8PCS		1PCS
Screw 5×20	3	M4	7
	60+4PCS		1PCS
L	4	M6	8
	2PCS		1PCS

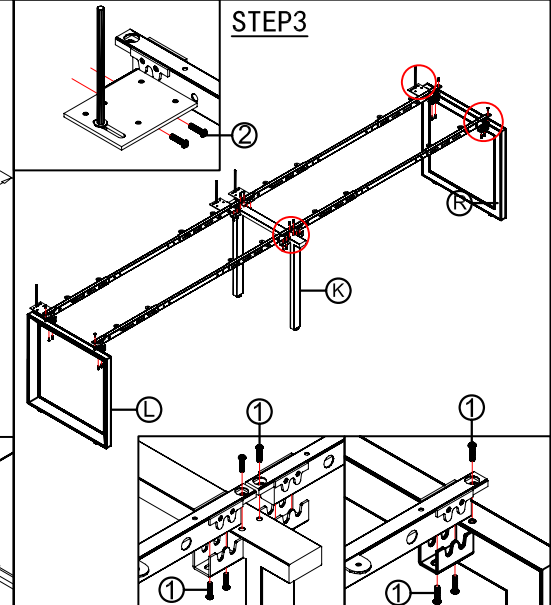
Assembly Instructions

MODEL NO: Loop Leg Assembly Instructions

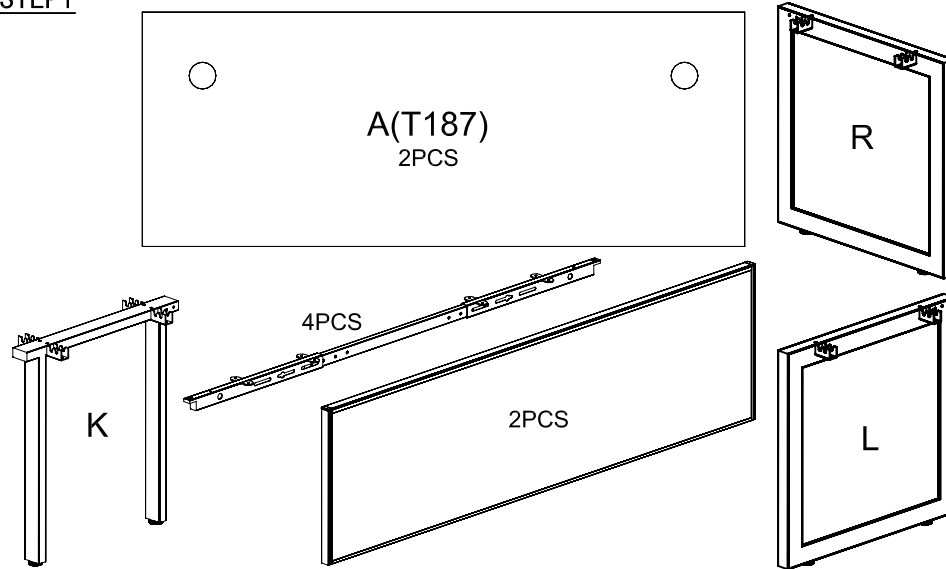
STEP2



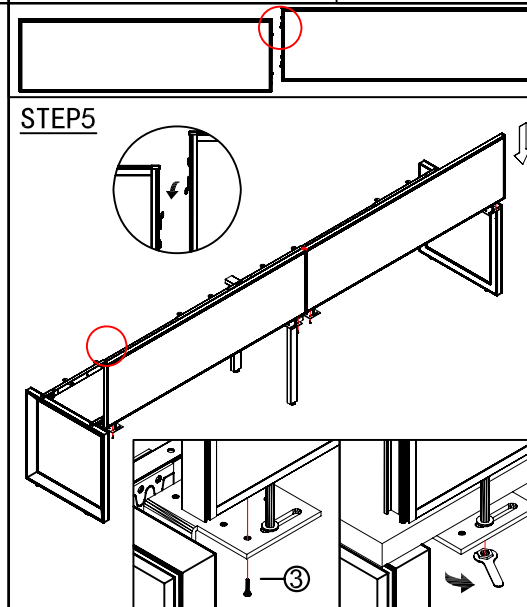
STEP3



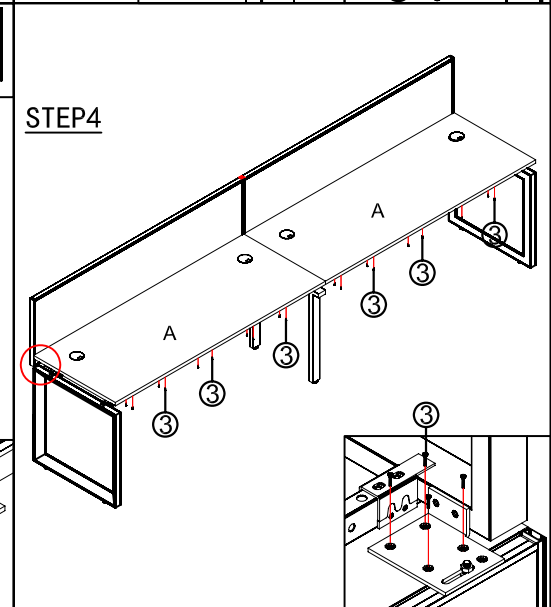
STEP1



STEP5

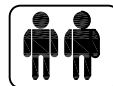


STEP4



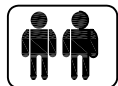
IMPORTANT NOTE:

- Place all laminated parts on a clean and smooth surface such as a rug or carpet to avoid the parts from being scratched.
- Check to be sure that you have all parts and hardware.
- Remove all wrapping materials, including staples & packing straps before you start to assemble.
- Don't tighten all screws/bolts until all completely assembled.
- Keep all hardware parts out of reach of children



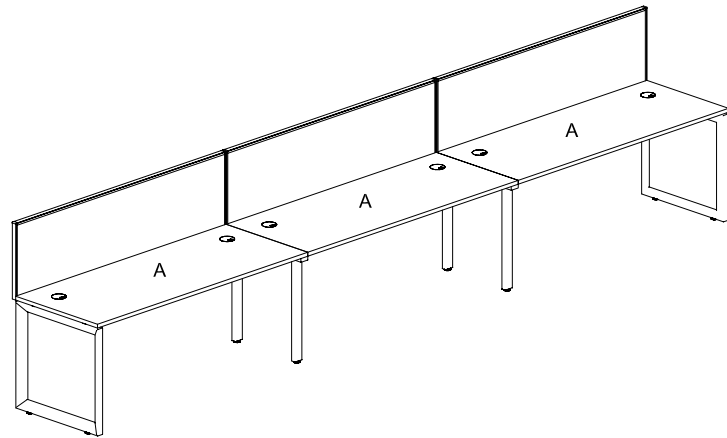
IMPORTANT NOTE:

- Place all laminated parts on a clean and smooth surface such as a rug or carpet to avoid the parts from being scratched.
- Check to be sure that you have all parts and hardware.
- Remove all wrapping materials, including staples & packing straps before you start to assemble.
- Don't tighten all screws/bolts until all completely assembled.
- Keep all hardware parts out of reach of children



Assembly Instructions

MODEL NO: Loop Leg Assembly Instructions

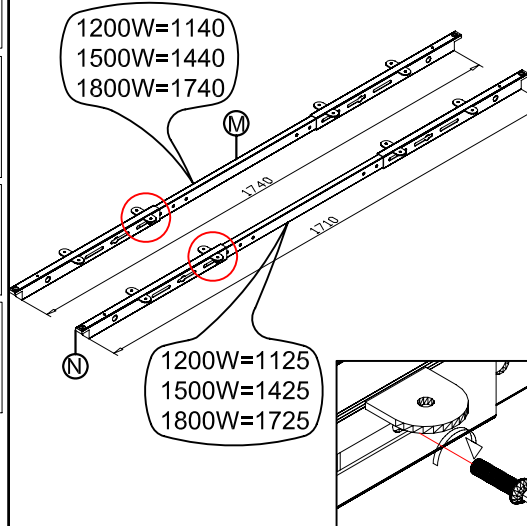


Screw 8x16 1 48PCS	R 5 3PCS
Screw 6x16 2 12PCS	M5 6 1PCS
Screw 5x20 3 90+4PCS	M4 7 1PCS
L 4 3PCS	M6 8 1PCS

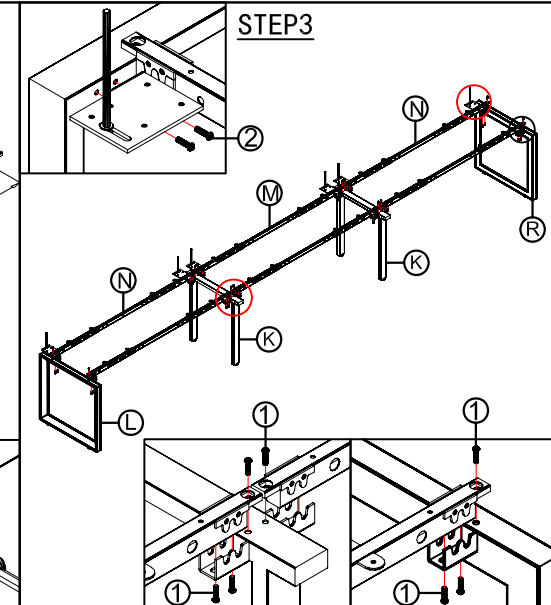
Assembly Instructions

MODEL NO: Loop Leg Assembly Instructions

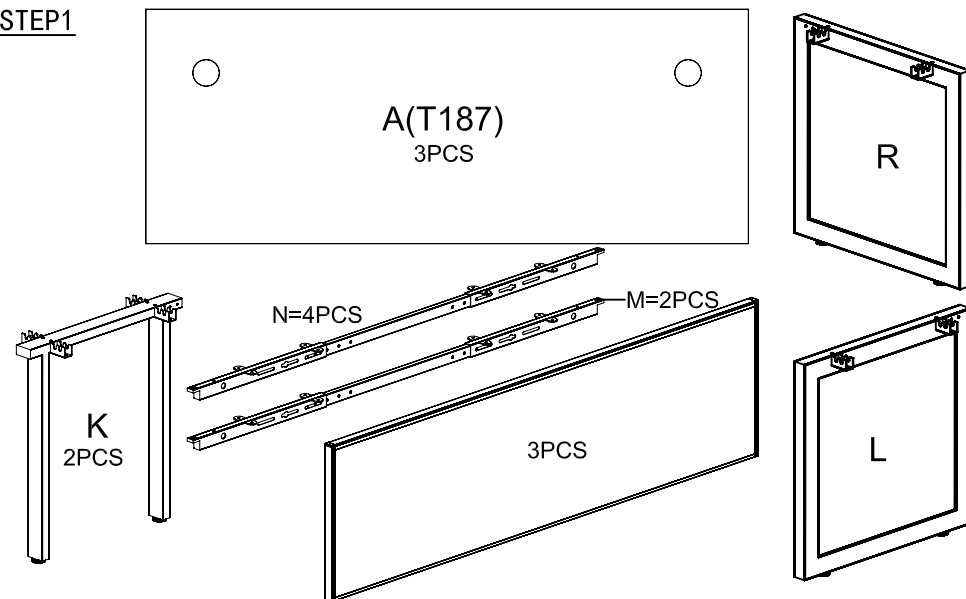
STEP2



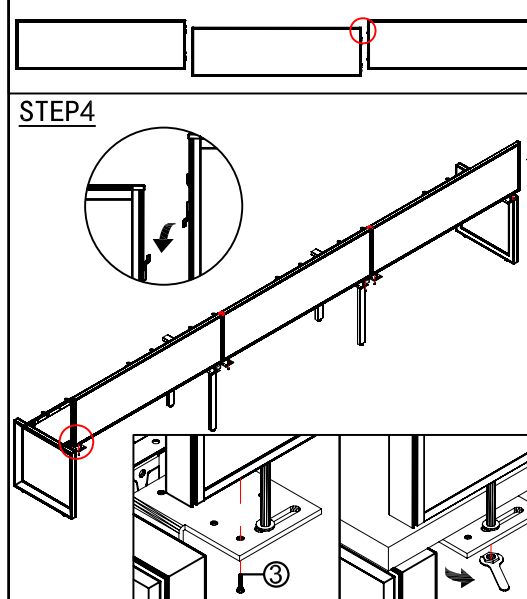
STEP3



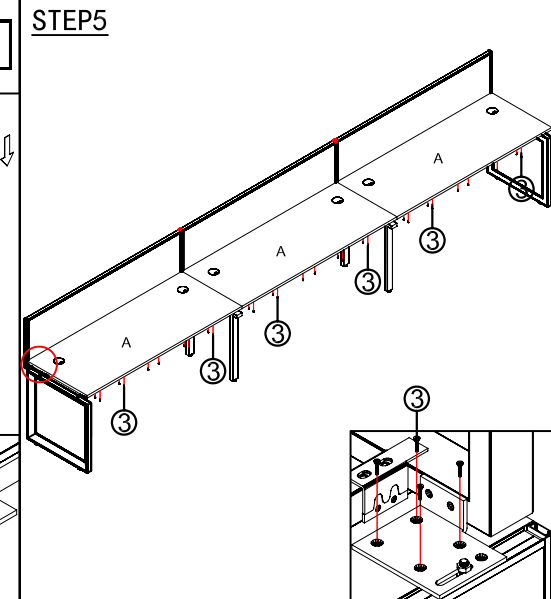
STEP1



STEP4

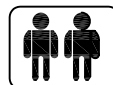


STEP5



IMPORTANT NOTE:

- Place all laminated parts on a clean and smooth surface such as a rug or carpet to avoid the parts from being scratched.
- Check to be sure that you have all parts and hardware.
- Remove all wrapping materials, including staples & packing straps before you start to assemble.
- Don't tighten all screws/bolts until all completely assembled.
- Keep all hardware parts out of reach of children



IMPORTANT NOTE:

- Place all laminated parts on a clean and smooth surface such as a rug or carpet to avoid the parts from being scratched.
- Check to be sure that you have all parts and hardware.
- Remove all wrapping materials, including staples & packing straps before you start to assemble.
- Don't tighten all screws/bolts until all completely assembled.
- Keep all hardware parts out of reach of children

