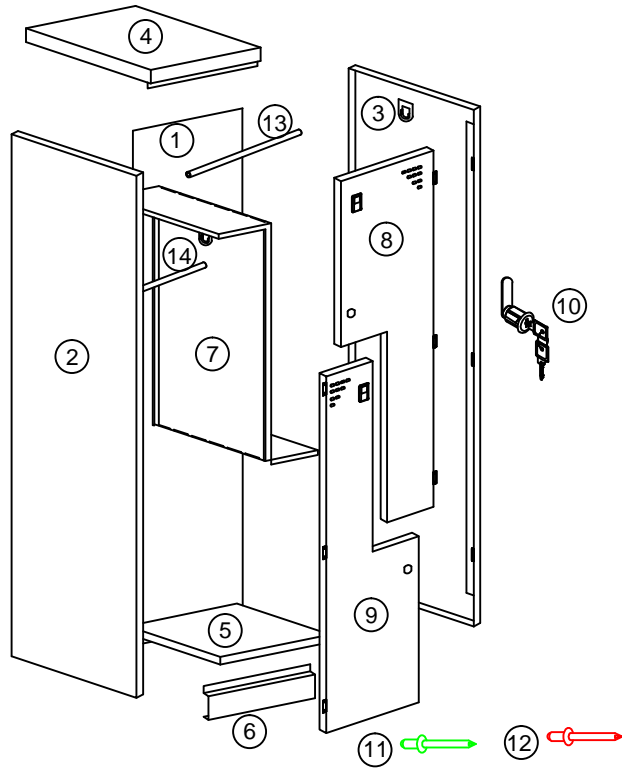


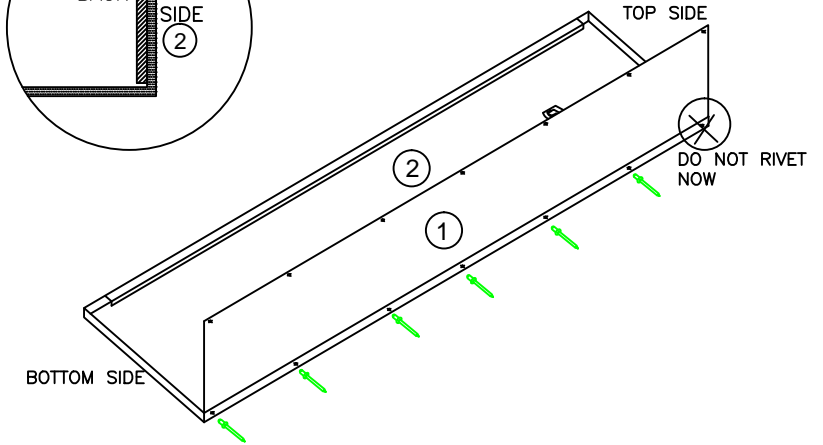
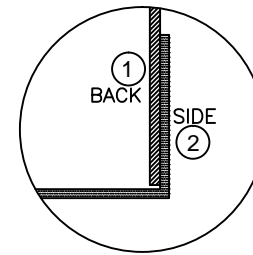
GSL380 ASSEMBLY INSTRUCTIONS

PART LIST

Part No	Component	Quantity
01	Back	01
02	LH SIDE	01
03	RH SIDE	01
04	TOP	01
05	BOTTOM TRAY	01
06	Bottom Front	01
07	PARTITION SHELF	02
08	RH DOOR	01
09	LH DOOR	01
10	LOCKS	02
11	RIVETS 3.2X8	40
12	RIVETS 4X8 <u>counter sunk for door</u>	12
13	COAT RAIL TOP (Longer)	01
14	COAT RAIL BOTTOM (Shorter)	01

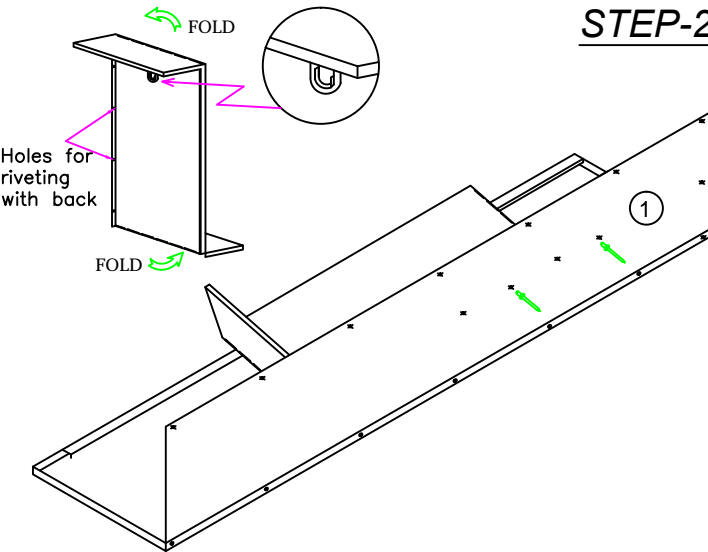


STEP-1



Place the LH Side Panel on the Flat surface(Assly Table) and rivet with the back panel as shown except the top hole (which will be riveted along with the Top panel) rivet from outside to inside.

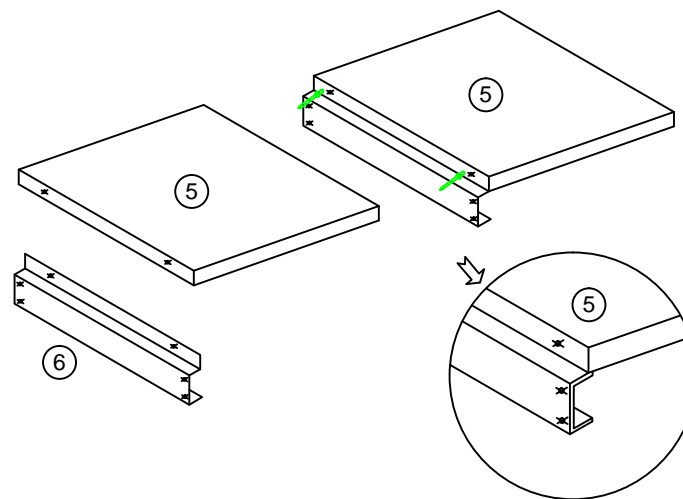
STEP-2



Bend the Partition (z Shelf as shown). ensure that the hanger pipe bracket comes on LH side

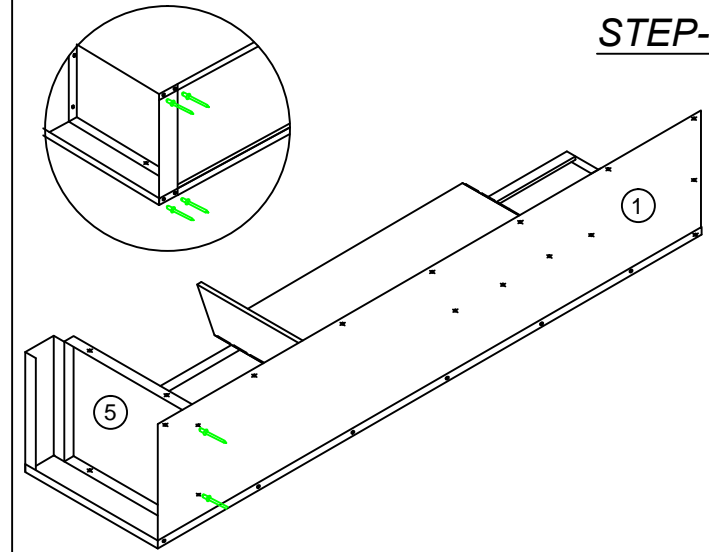
Rivet the Partition (z shelf) with the back panel as shown in the drawing (rivet from outside to inside)

STEP-3



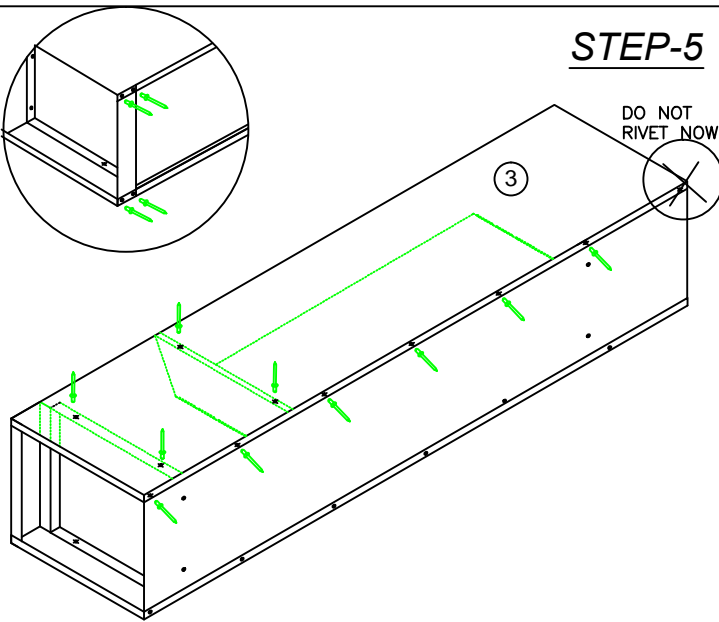
Insert the top flange of the bottom front into the bottom tray and rivet as shown in the drawing (separate sub assembly)

STEP-4



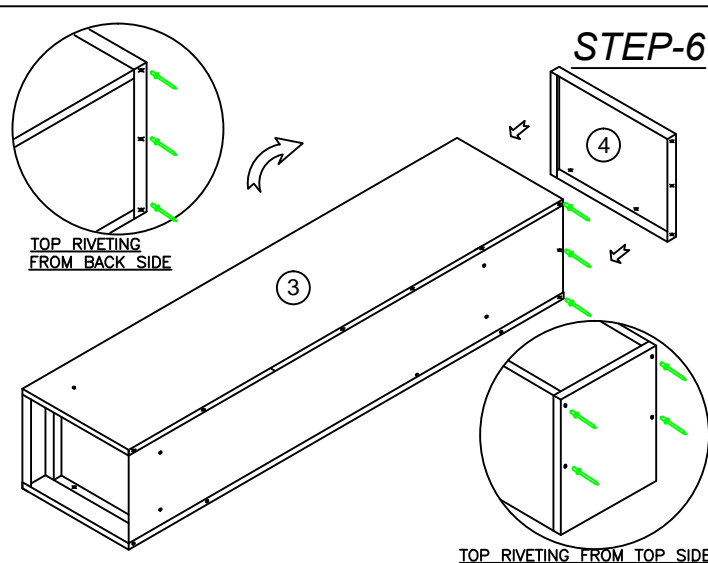
1. Rivet the bottom tray and bottom front assembly with the back panels as shown.
3. Rivet the bottom front with the side.

STEP-5



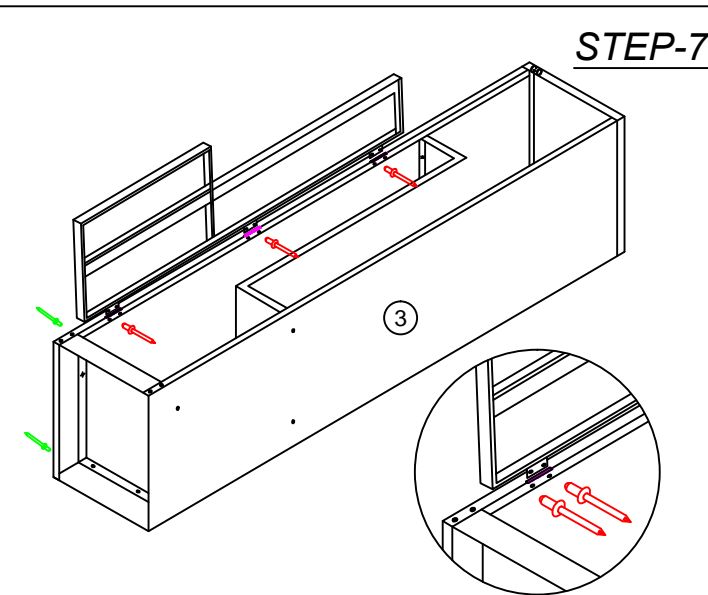
1. Place the RH side on Back, Partition (Z shelf) and Bottom tray assembly as shown.
2. Rivet the side with the back on all the holes except the top hole and also rivet the side with the Z SHELF and bottom tray as shown.

STEP-6



1. Fix the Top as shown and Rivet with the back and sides as shown.
2. Flip the Locker on Its back as shown (Back touches ground) for riveting the z shelf, Bottom tray with the LH Side.

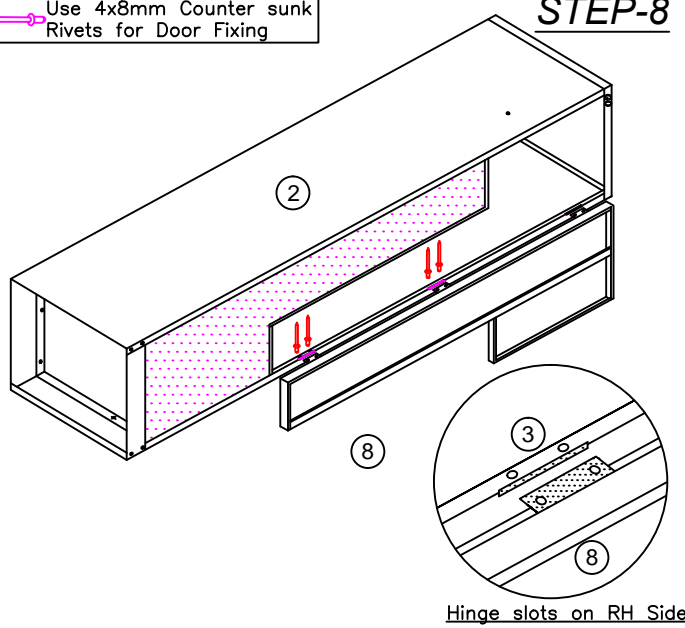
STEP-7



1. Rivet the LH side with the Partition (Z shelf) and the Bottom tray as shown.
2. Position the LH door Hinge in slots as shown and rivet with side using 4x8 counter sunk rivets.
3. Again Flip around the Locker on Its RH side for RH door (Top door) fixing.

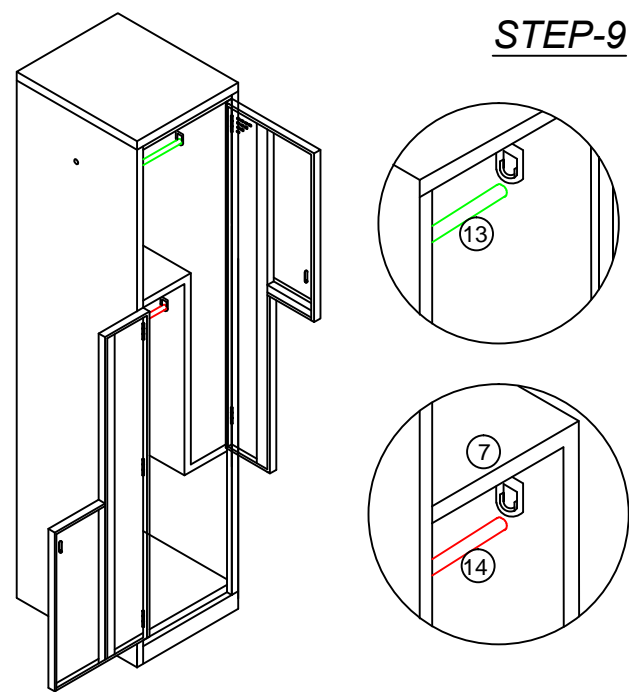
Use 4x8mm Counter sunk Rivets for Door Fixing

STEP-8



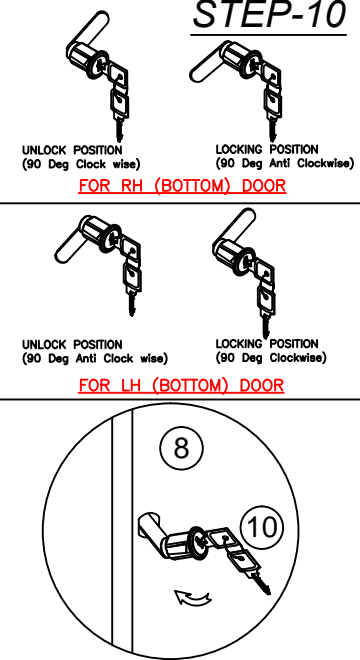
Position the RH door Hinges in slots as shown and rivet with side using counter sunk rivets and then lift erect the locker.

STEP-9



Fix the Coat rails (hanger rods) in both the compartments

STEP-10



1. Check the lock for unlock and lock condition before fixing in hand.
2. Insert the lock in unlock condition and press completely as shown.