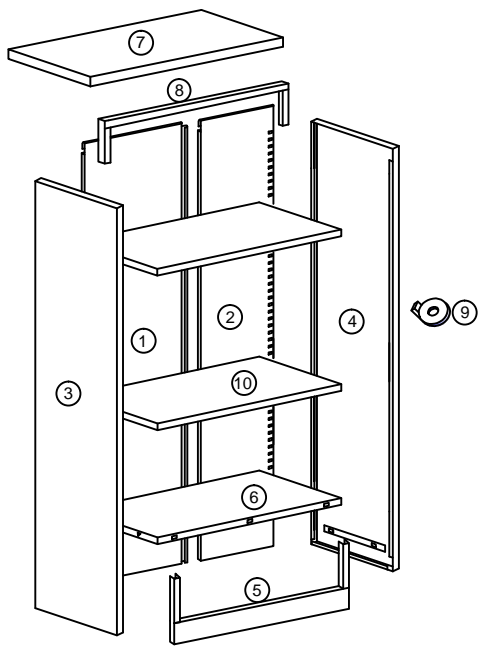


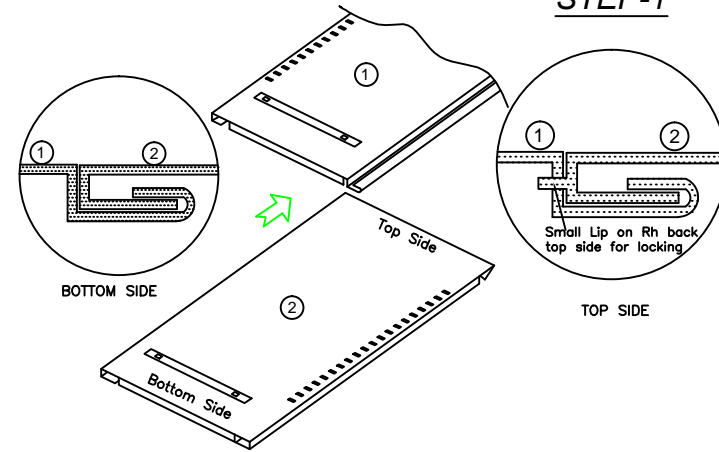
GSC9422 - ASSEMBLY INSTRUCTIONS

PART LIST

Part No	Component	Quantity
01	LH Back	01
02	RH Back	01
03	LH SIDE	01
04	RH SIDE	01
05	Bottom Front	01
06	Bottom Tray	01
07	Top	01
08	Top U Frame	01
09	Shelf Clip	20
10	Adjustable Shelves	5

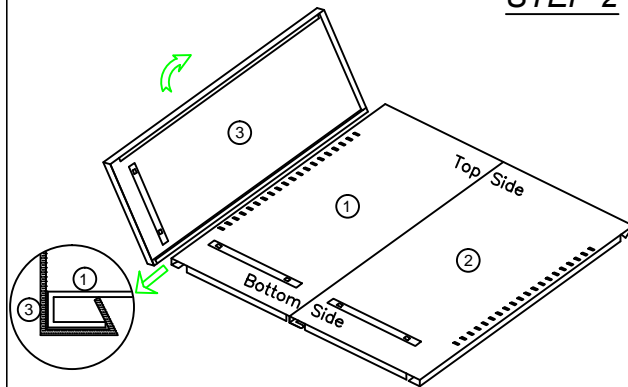


STEP-1



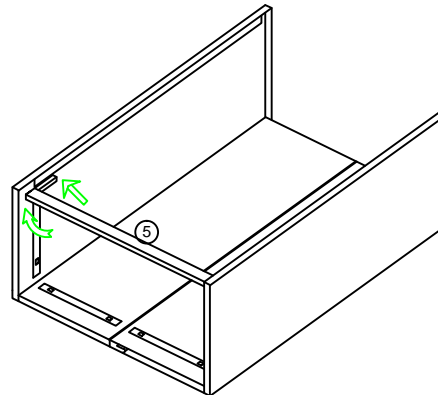
1. Place the left hand back on the flat surface.
2. Slide the Right hand back into the Left hand back fold as shown in the drawing.
3. Bend the small Lip on the Top side of the Right hand back for arresting the movement of two backs

STEP-2



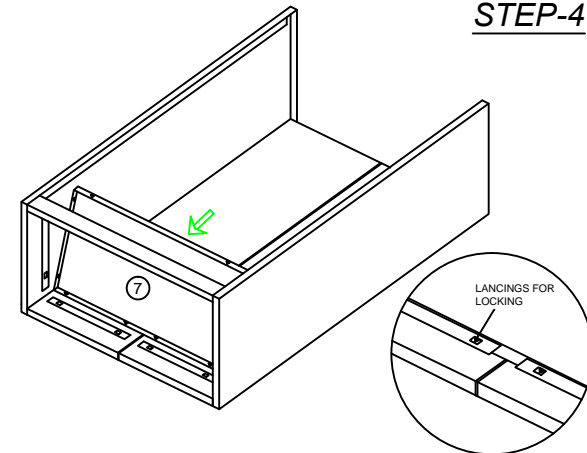
1. Insert the left hand Side below the Left hand back as shown. place the left hand back in the rear fold of the Side and lift the side as shown and hold in vertical position.
2. Similarly assemble the Right hand side with the Right hand back.

STEP-3



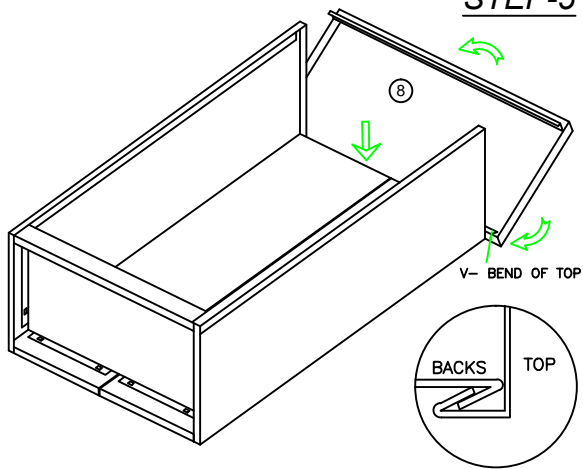
1. Fix the bottom channel (65 mm wider - U FRAME) as shown In the drawing.

STEP-4



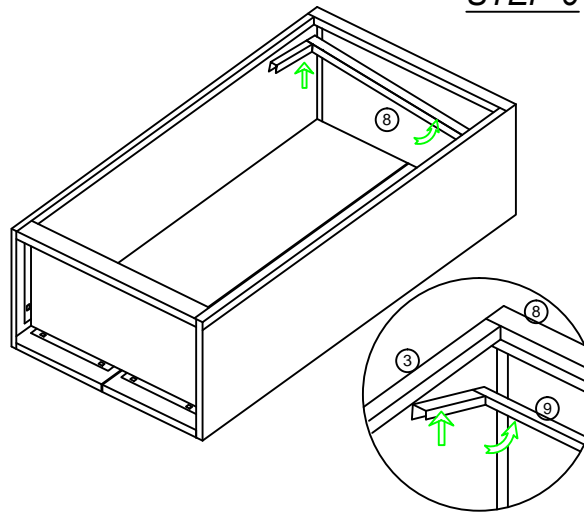
1. Fix the Bottom Tray from inside of cupboard as shown in the drawing. Ensure that the lancings (protrudings) will get lock into the slots on the Backs, sides and bottom front (3 Lancings towards the front side).

STEP-5



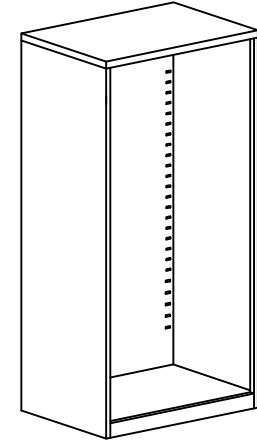
1. Insert the V-BEND of the Top with the Backs as shown.
2. Carefully lift the Top upward by pressing the Backs from inside for the proper locking of the Top with the Backs.

STEP-6



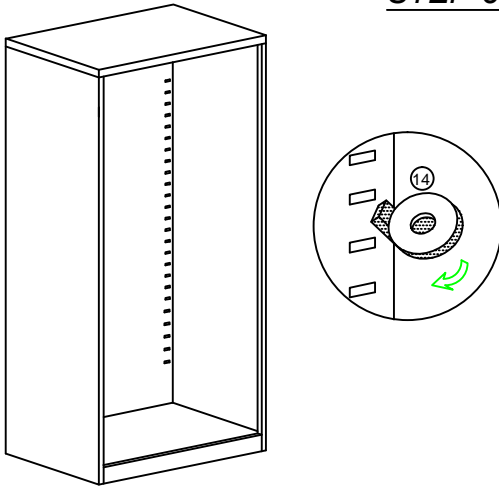
1. Fix the top U frame as shown in the drawing and lift erect the Cupboard.

STEP-7



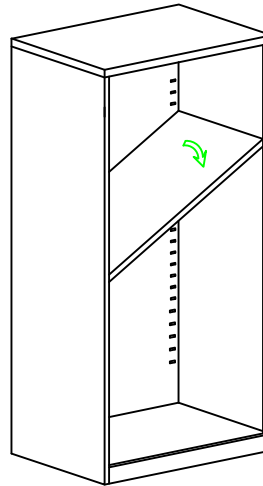
1. Lift erect the book case for fixing the shelves.

STEP-8



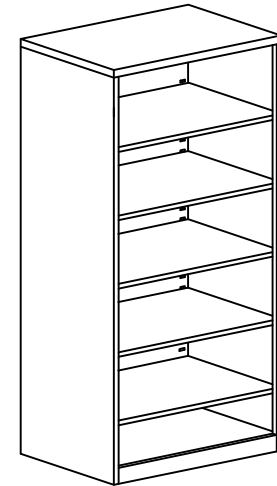
1. Fix the 4 shelf clips at the desired level as shown. Ensure that all the 4 clips of a shelf are at the same height.

STEP-9



1. Fix the adjustable shelf on the 4 shelf clips as shown.
2. Similarily fix all the 5 shelves.

STEP-10



Now the bookcase is ready to use.