



PRODUCT SPECIFICATION SHEET

GO STEP LOCKER

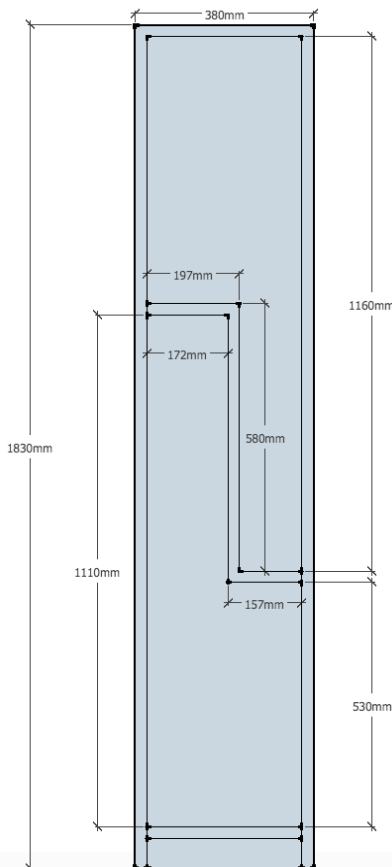
- Riveted construction for extra strength
- Full length stiffeners to each door
- Cam lock with 2 keys, mastered series
- Air vent to each door
- Coat rail in each compartment

GSL380

1830 x 380 x 455

Weight: 25KG

Cubic Mtr: 0.31



WARRANTY 10 Years

Finishes

Silver Grey

