
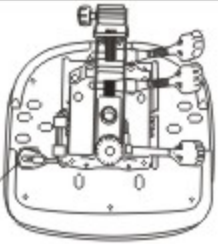

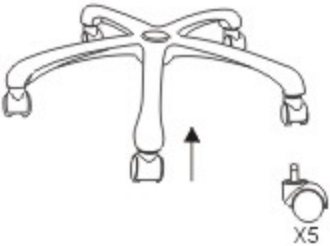
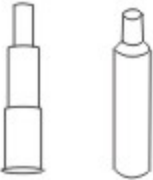

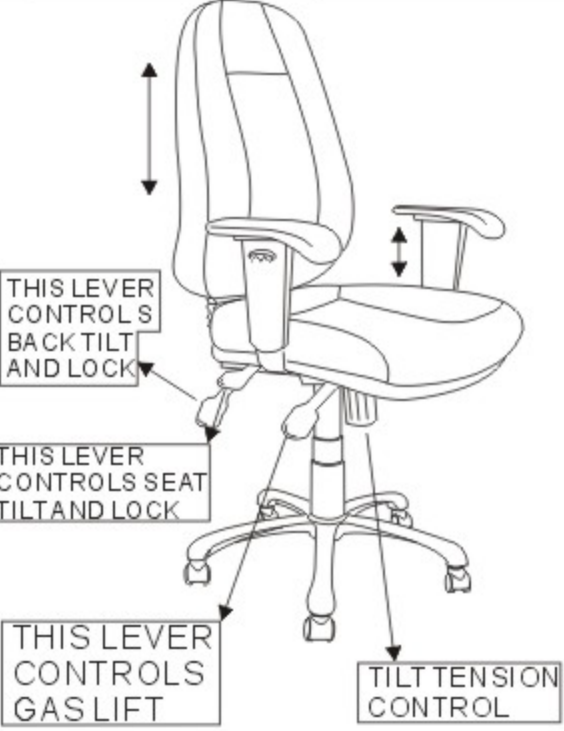
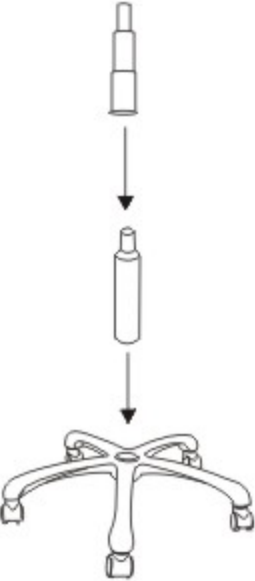
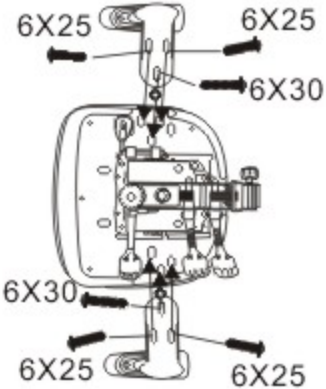
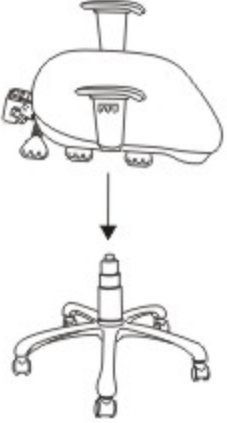
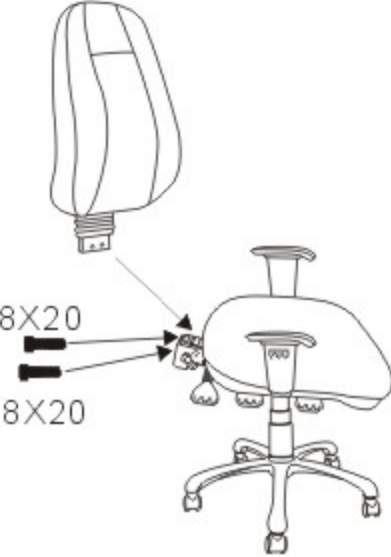


# F300

(1)	(2)	(3)	(4)	(5)	(6)
	 <p>Seat slider control</p>	 <p>X2</p>	 <p>X5</p>		 <p>X2 6X30 X4 6X25 X2 8X20 M5 M6 X2 0.5cm</p>
A	B	C	D	 <p>THIS LEVER CONTROLS BACK TILT AND LOCK</p> <p>THIS LEVER CONTROLS SEAT TILT AND LOCK</p> <p>THIS LEVER CONTROLS GAS LIFT</p> <p>TILT TENSION CONTROL</p>	
	 <p>6X25 6X25 6X30 6X30 6X25 6X25 6X25</p>		 <p>8X20 8X20</p>		