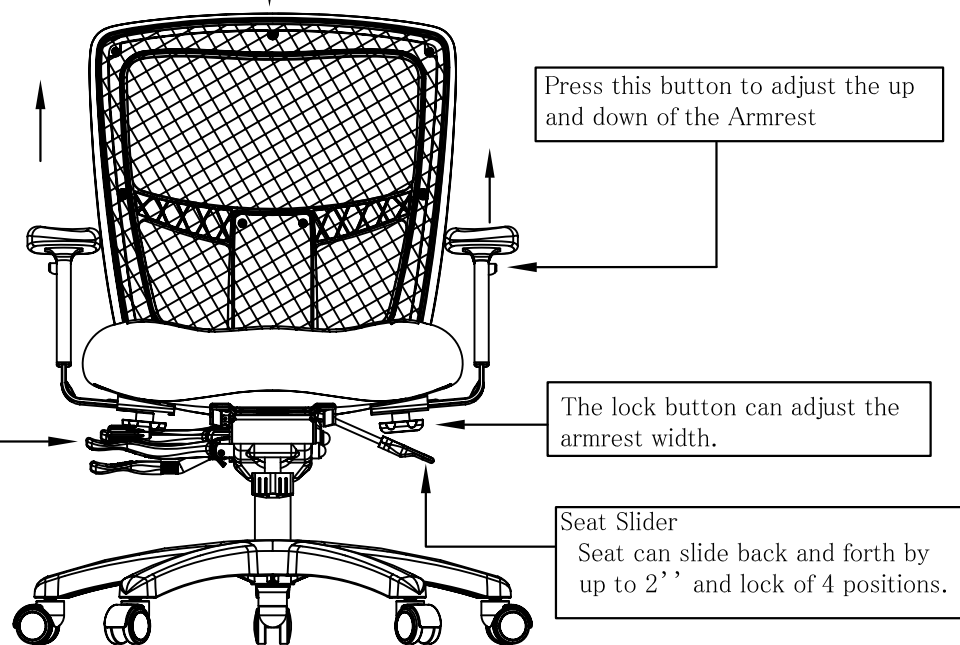


Backrest can be pulled up and down. Please raise the Backrest to the top position when you would like to adjust the backrest to the initial position.

- The mechanism with multi-functions:
- 1.Pneumatic Seat Height Control
Seat height can be adjusted.
 - 2.Seat Angle Control
Seat angle can be adjusted independently.
 - 3.Back Angle Control
Back can be adjusted and locked at desired positions.
 - 4.Back Height Adjustment
Chair back can be adjusted up and down by ratchet for various back height
 - 5.Control of Seat Forward Tilt
Lock and release of forward tilt for intensive keyboard activities.
 - 6.Adjustable Tilt- tension Control
Tension of seat & back tilt can be increased or decreased as desired.



ERGO TASK CHAIR

Item No	Description	Quantity	Picture
A	Back Assembly	1	
B	Seat Assembly	1	
C	Armrest L/R	1	
D	Gas Lift	1	
E	Base	1	
F	Caster	5	
G	the Adjusted width button	2	
H	Inner-hexagon screws 5/16"*3/4"	3	
I	Flat Pad 16*8.3*2.0 mm	3	
J	Wrench M5--25*64	1	
K	Dust Cover	1	

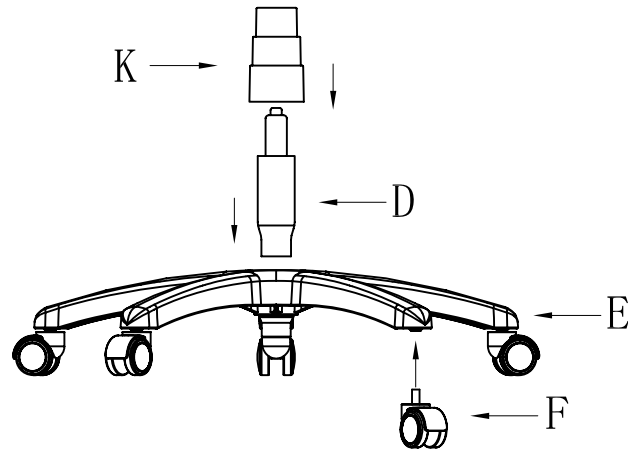
Note:

1. Remove the items from the carton, verify all pieces before assembly.
2. Beware the product surface, especially the painted and polish parts when assembly.
3. The assembled part of the gas lift is non-metal, beware not to beat it with hard object.

rapidline
FURNITURE FOR TODAY

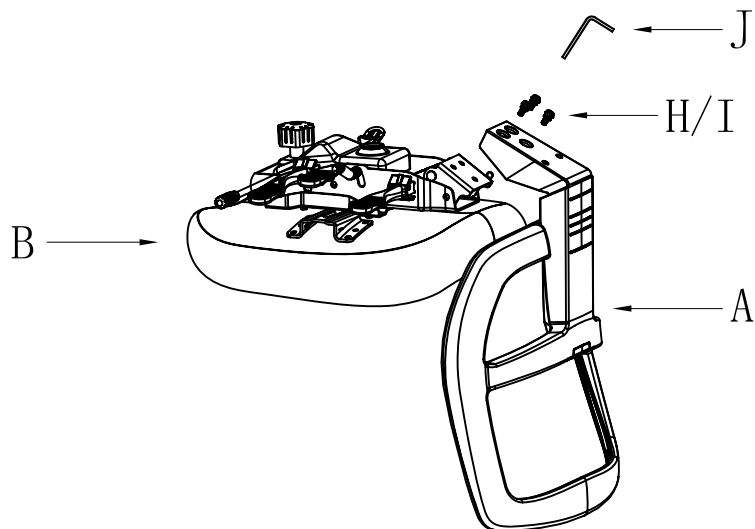
1. Assembling the Base(E), Caster(F) and Gas Lift(D) and Dust Cover(K)

1) Insert five Casters (F) into Base (E), push hard until you feel or hear the Caster (F) snap into place. With Base (E) upright and Casters (F) on the floor, insert Gas Lift (D) into Base (E), then put the Dust Cover (K) on the Gas Lift (D).



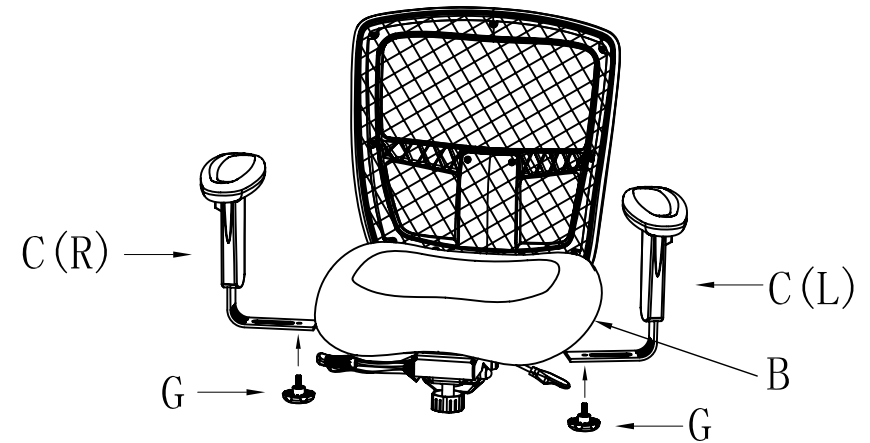
2. Assembling the Seat Assembly (B) and Back Assembly(A)

1) Keep the Seat Assembly (B) on a table plane first, Then insert Back Assembly (A) between connected Seat Assembly (B) and Seat Plate. Turn Back Assembly (A) right side up and insert Seat Assembly (B) into the center of three holes. Attach using Allen Wrench (J), fully tighten Hex Socket Screws (H) and Flat Pad (I).



3. Assembling the Armrest (C) and Seat Assembly(B)

1) Attach Armrests (C) to Seat Assembly (B), using the adjusted width button (G) to fasten the Armrests (C) over the Seat Assembly (B).



4. Assembling the Seat Assembly(B) and Gas Lift (D)

1) Insert the Seat Assembly (B) with the armrests into the Gas Lift (D).

