

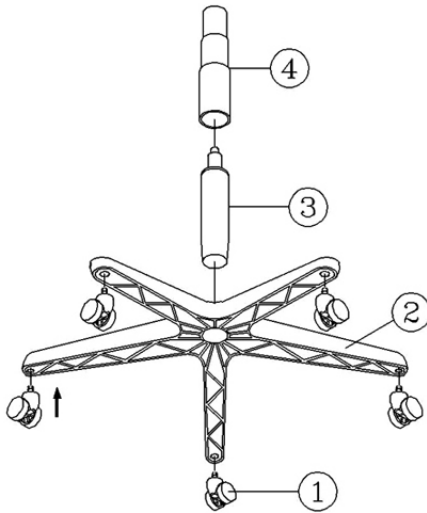
ASSEMBLY INSTRUCTION

Remove all items from the carton . Verify all pieces before assembly.

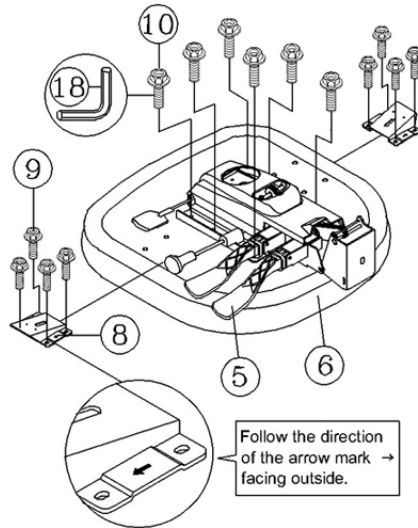
PART LIST

KEY QTY	DESCRIPTION	KEY QTY	DESCRIPTION	KEY QTY	DESCRIPTION			
1	5	Caster	8	2	Arm Bracket	14	2	Armrest
2	1	Base	9	8	Arm Bracket Screw	15	1	Backrest Tight Screw + Washers
3	1	Seat Post	10	6	Mechanism Screw	16	1	Backrest Post Bellow
4	1	Seat Post Cover	11	1	Backrest Post	17	2	Backrest Post Bellow Screw
5	1	Mechanism	12	1	Backrest Screw	18	1	M5 Size Allen Wrench
6	1	Seat	13	2	Arm Width Adjustment Knob + Washers	19	1	M6 Size Allen Wrench
7	1	Backrest						

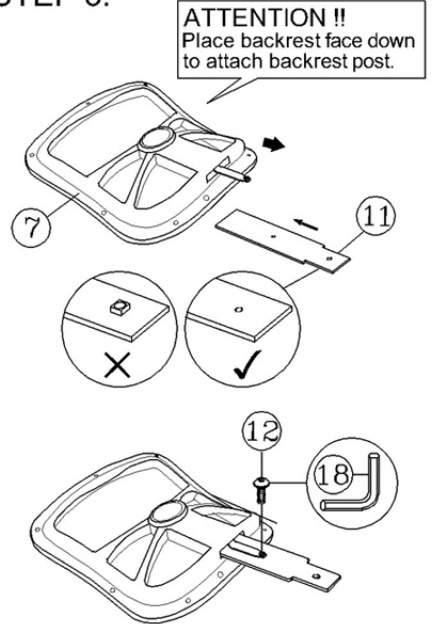
STEP 1.



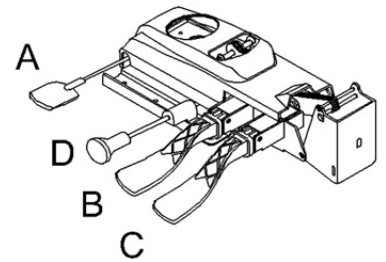
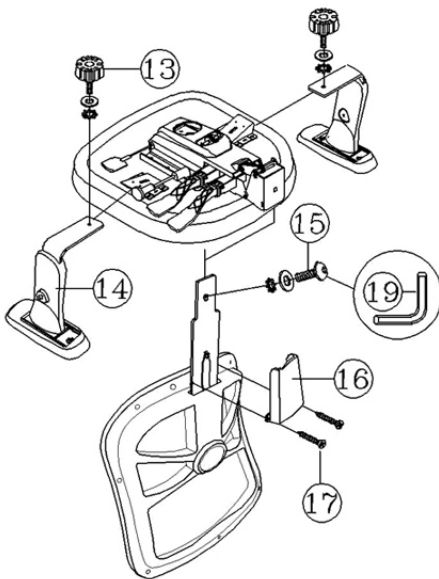
STEP 2.



STEP 3.



STEP 4.



- A** Pneumatic seat height adjustment
- B** Seat angle adjustment :
Seat angle adjusts independently with a single lever.
- C** Backrest angle adjustment :
Back angle adjusts independently with a single lever.
- D** Sliding seat:
It provides seat depth adjustment for different user leg lengths.

PREVENTIVE MAINTENANCE AND WARNING!

- USE THIS PRODUCT ONLY FOR SEATING ONE PERSON AT A TIME.
- DO NOT USE THIS CHAIR AS A STEP STOOL / LADDER.
- DO NOT SIT ON ANY PART OF THE CHAIR EXCEPT THE SEAT.
- DO NOT USE CHAIR ON UNEVEN FLOOR SURFACES.
- DO NOT USE CHAIR UNLESS ALL BOLTS, SCREWS AND KNOBS ARE TIGHT. AT LEAST EVERY SIX MONTHS, CHECK ALL BOLTS, SCREWS AND KNOBS TO BE SURE THEY ARE TIGHT.
- IF ANY PARTS ARE MISSING, BROKEN, DAMAGED OR WORN, STOP USE OF THE PRODUCT UNTIL REPAIRS ARE MADE USING FACTORY AUTHORIZED PARTS.
- DISPOSE OF PACKAGING PROPERLY. PLASTIC BAG IS NOT A TOY. DO NOT USE PLASTIC BAG AS HEAD COVERING - IT MAY CAUSE SUFFOCATION.
- FAILURE TO FOLLOW THESE WARNINGS COULD RESULT IN SERIOUS INJURY.