



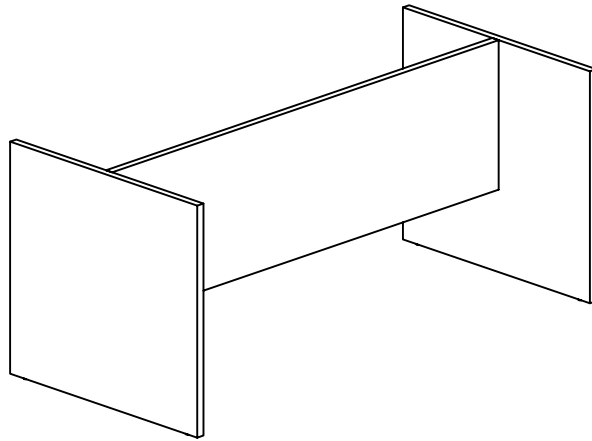
Zhongshan JNM Furniture Manufacture Co., Ltd.

Email: jnm@vip.163.com http://www.jnm.hk

TEL: 0760-88511666 FAX: 0760-88511669

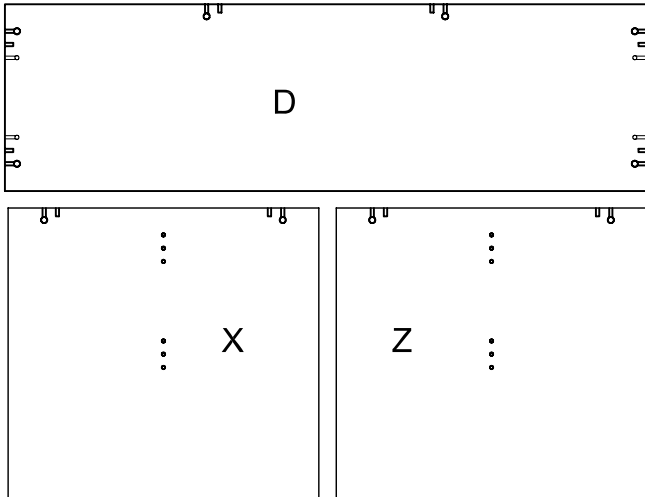
# Assembly Instructions

## MODEL NO:BTB2412

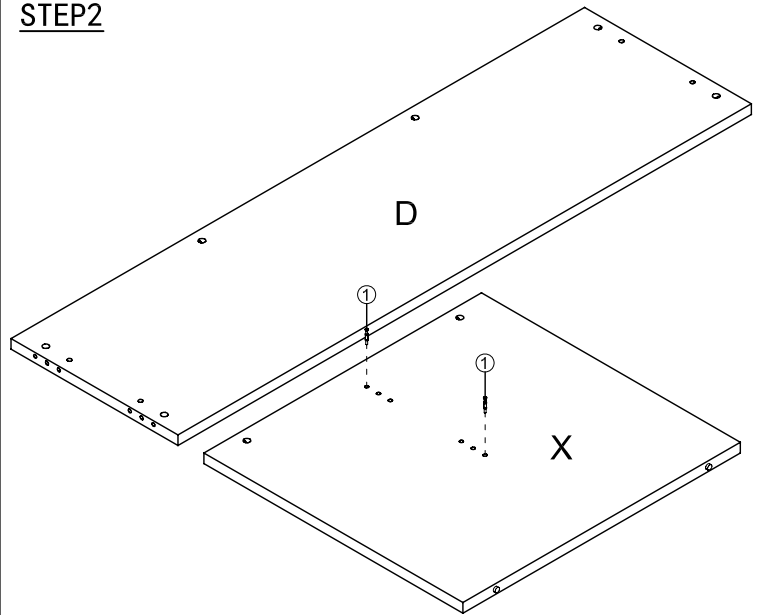


pin 6×35 1 10PCS	CAM 4 4PCS
CAM 2 10PCS	Screw 6×60 5 4PCS
Cam Cover 3 10PCS	

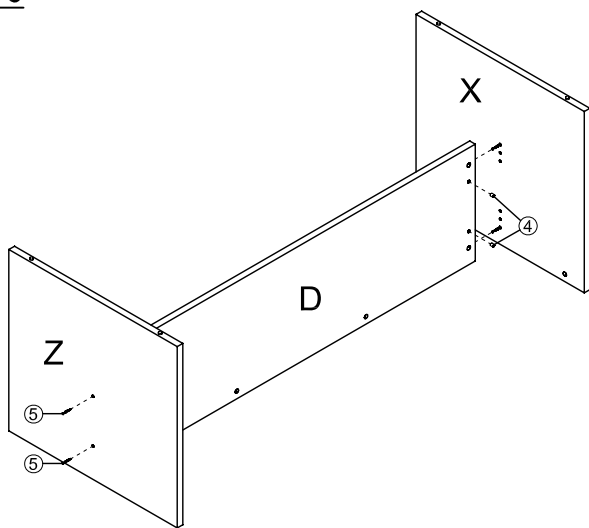
### STEP1



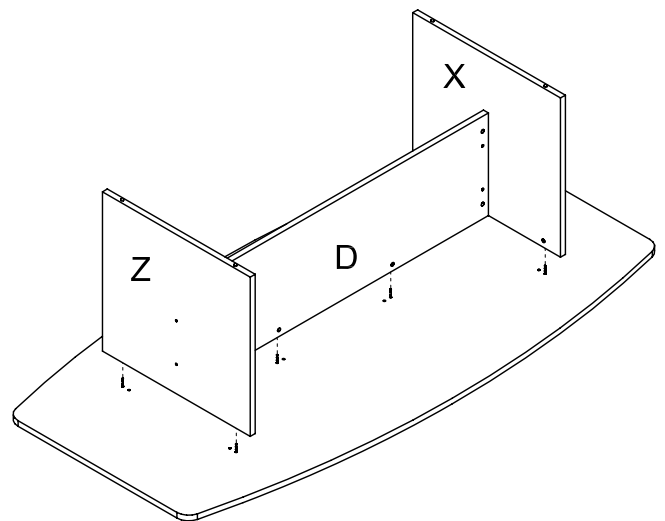
### STEP2



### STEP3



### STEP4



#### IMPORTANT NOTE:

- Place all laminated parts on a clean and smooth surface such as a rug or carpet to avoid the parts from being scratched.
- Check to be sure that you have all parts and hardware.
- Remove all wrapping materials, including staples & packing straps before you start to assemble.
- Don't tighten all screws/bolts until all completely assembled.
- Keep all hardware parts out of reach of children

